

Hinges • long version  
25165.0220



**Product Description**

The different versions cover many applications that require a low load.

These metal hinges are characterised by their simple design and the different versions:

- without bores
- with bores
- with bores for countersunk screws

The version without bores can be assembled by welding or by inserting a specific drilling pattern.

**Material**

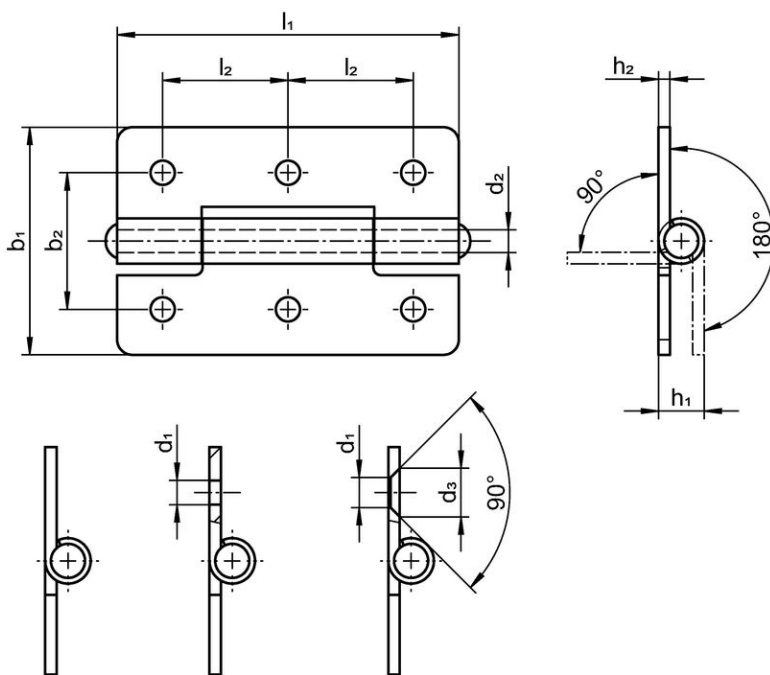
**Body**

- Stainless steel 1.4301

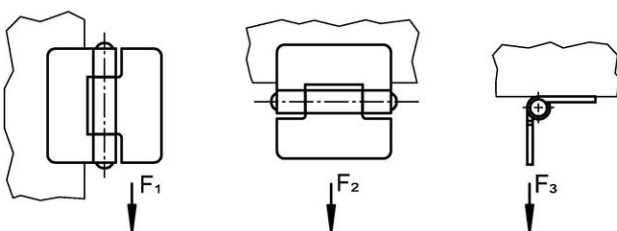
**Axis**

- Stainless steel 1.4301

**Drawing**



picture 1    picture 2    picture 3



Order information

| Dimensions   |                |                |                |                |                |                     |                |                | Holding force       |                     |                     | Art. No. |            |
|--|----------------|----------------|----------------|----------------|----------------|---------------------|----------------|----------------|---------------------|---------------------|---------------------|----------|------------|
| b <sub>1</sub>   | l <sub>1</sub> | b <sub>2</sub> | d <sub>1</sub> | d <sub>2</sub> | d <sub>3</sub> | h <sub>1</sub><br>~ | h <sub>2</sub> | l <sub>2</sub> | F <sub>1</sub><br>~ | F <sub>2</sub><br>~ | F <sub>3</sub><br>~ |          | [g]        |
| [mm]   |                |                |                |                |                |                     |                |                | [N]                 |                     |                     |          |            |
| with bores for countersunk screws – picture 3, Stainless steel |                |                |                |                |                |                     |                |                |                     |                     |                     |          |            |
| 30   | 45             | 18             | 4              | 3              | 6.4            | 6                   | 1.5            | 16.5           | 1300                | 750                 | 700                 | 21       | 25165.0220 |

Compliance

**RoHS compliant**

Compliant according to Directive 2011/65/EU and Directive 2015/863.

**Does not contain SVHC substances**

No SVHC substances with more than 0.1% w/w contained - SVHC list [REACH] as of 23.01.2024.

**Does not contain Proposition 65 substances**

No Proposition 65 substances included.

<https://www.P65Warnings.ca.gov/>

**Free from Conflict Minerals**

This product does not contain any substances designated as "conflict minerals" such as tantalum, tin, gold or tungsten from the Democratic Republic of Congo or adjacent countries.