

Hinges

25165.0060



Product Description

The different versions cover many applications that require a low load.

These metal hinges are characterised by their simple design and the different versions:

- without bores
- with bores
- with bores for countersunk screws

The version without bores can be assembled by welding or by inserting a specific drilling pattern.

Material

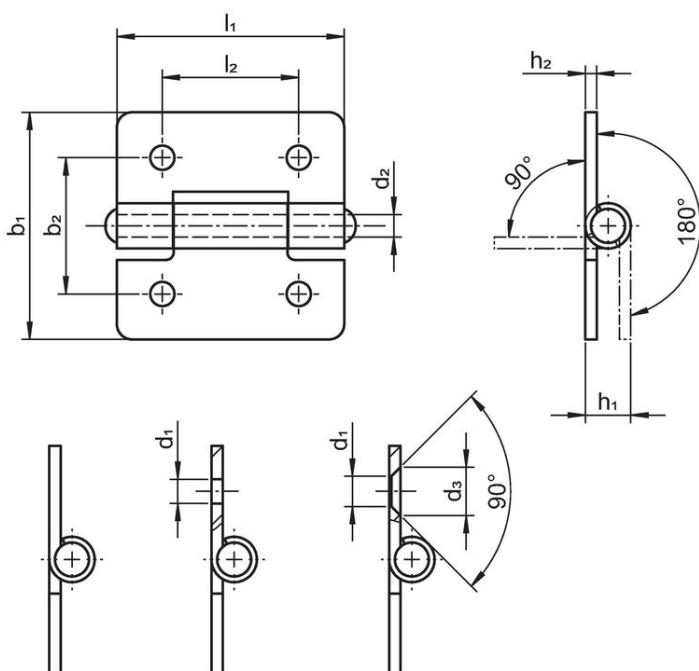
Body

- Stainless steel 1.4301

Axis

- Stainless steel 1.4301

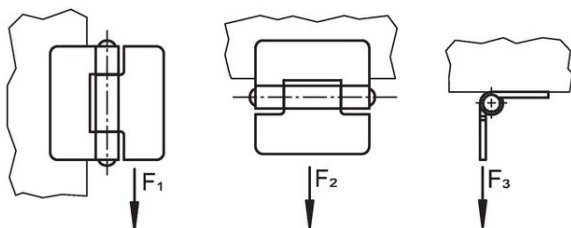
Drawing



picture 1

picture 2

picture 3



Order information

Dimensions					Holding force			[g]	Art. No.
b_1	l_1	d_2	h_1	h_2	F_1	F_2	F_3		
[mm]					~	~	~		
						[N]			
without bores – picture 1, Stainless steel									
60	60	6	10	2	2800	2500	1000	83	25165.0060

Compliance

RoHS compliant

Compliant according to Directive 2011/65/EU and Directive 2015/863.

Does not contain SVHC substances

No SVHC substances with more than 0.1% w/w contained - SVHC list [REACH] as of 23.01.2024.

Does not contain Proposition 65 substances

No Proposition 65 substances included.

<https://www.P65Warnings.ca.gov/>

Free from Conflict Minerals

This product does not contain any substances designated as "conflict minerals" such as tantalum, tin, gold or tungsten from the Democratic Republic of Congo or adjacent countries.