

Hinges • adjustable
25161.0345



Product Description

Adjustable hinges can be positioned horizontally or vertically by moving the adjusting bushings in a form-fit and finely adjusted manner.

Material

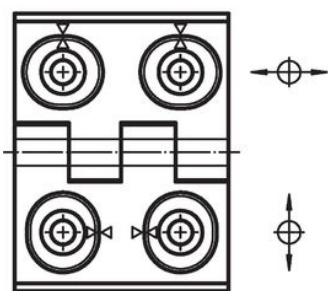
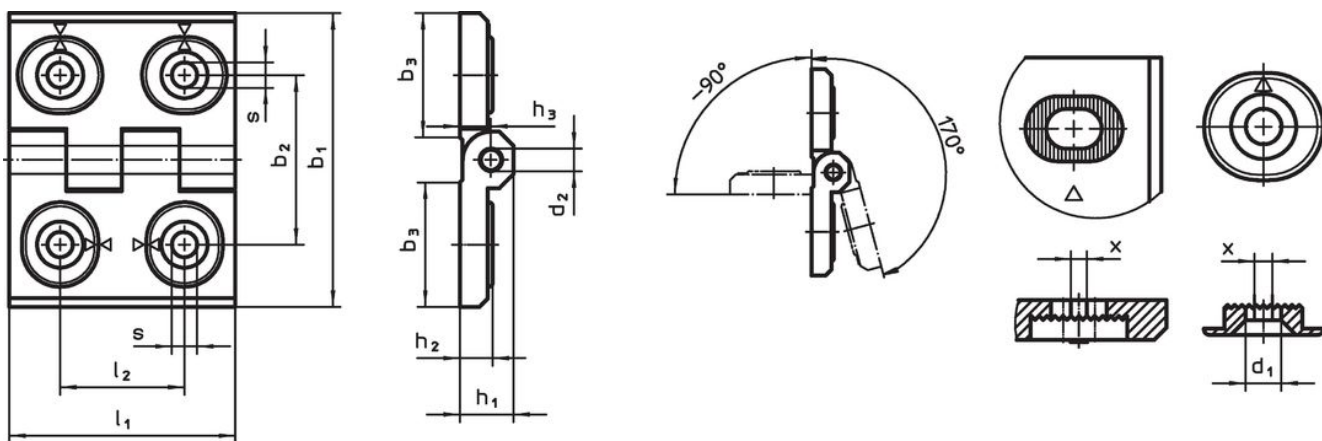
Body

- Stainless steel 1.4408, dull blasted

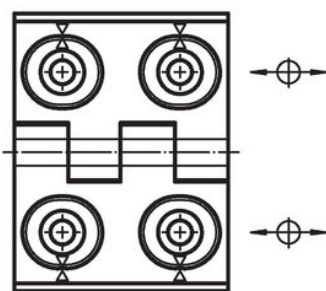
Axis

- Stainless Steel

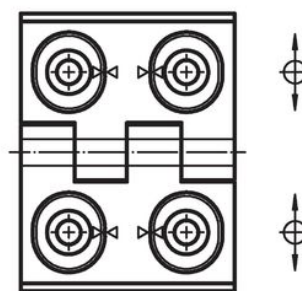
Drawing



picture 1



picture 2



picture 3

Order information

| Dimensions | | | | | | | | | | | [g] | Art. No. |
|---|----------------|----------------|----------------|----------------|----------------|----------------|----------------|----------------|----------------|---|-----|------------|
| b ₁ | l ₁ | b ₂ | b ₃ | d ₁ | d ₂ | h ₁ | h ₂ | h ₃ | l ₂ | x | | |
| adjustable in height and width – picture 1, Stainless steel | | | | | | | | | | | | |
| 60 | 76 | 42 | 33.5 | 6.5 | 8 | 15 | 9 | 8.5 | 34 | 2 | 260 | 25161.0345 |

Compliance

RoHS compliant

Compliant according to Directive 2011/65/EU and Directive 2015/863.

Does not contain SVHC substances

No SVHC substances with more than 0.1% w/w contained - SVHC list [REACH] as of 23.01.2024.

Does not contain Proposition 65 substances

No Proposition 65 substances included.

<https://www.P65Warnings.ca.gov/>

Free from Conflict Minerals

This product does not contain any substances designated as "conflict minerals" such as tantalum, tin, gold or tungsten from the Democratic Republic of Congo or adjacent countries.