

## Rubber Endstop Buffers · truncated cone form

25150.0738



### Product Description

To be used as an elastic end-stop, bearing foot etc.  
The hardness is  $55 \pm 5^\circ$  shore A. Further shore hardnesses ( $40 \pm 5^\circ$  shore A and  $70 \pm 5^\circ$  shore A) on request.

### Material

#### Support washer

- Steel, zinc-plated by galvanization, passivated

#### Threaded bushing

- Steel, zinc-plated by galvanization, passivated

#### Body

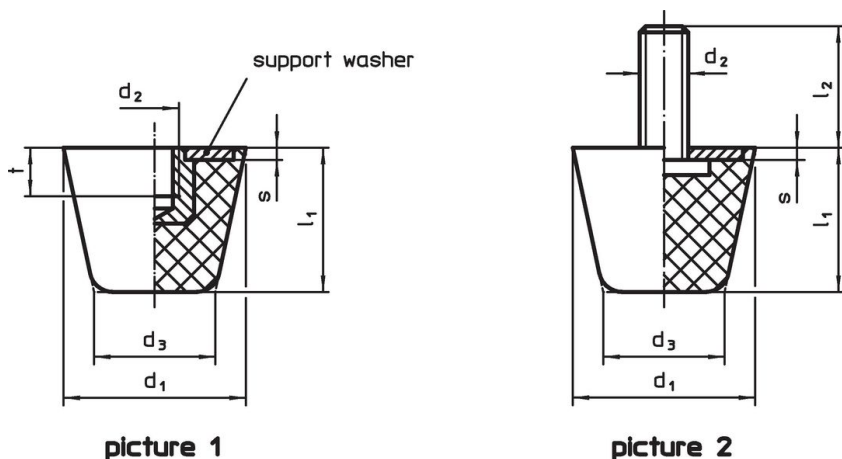
- NBR

### More information

#### Further products

- Support Legs, impact cushioning
- Silicone Endstop Buffers, truncated cone form

### Drawing



### Order information

Dimensions						Spring rate R	Load capacity	Spring range	Temperature		Weight	Art. No.
$d_1$	$d_2$	$d_3$	$l_1$	$s$	$t$	~	max.	~	min.	max.	[g]	
[mm]						[N/mm]	[N]	[mm]	[°C]			
with female thread – picture 1, Steel												
38	M8	24.5	32	2	8	125	1200	9.5	-30	80	43	25150.0738

### Compliance

#### RoHS compliant

Contains lead - compliant according to exceptions 6a / 6b / 6c.

#### Contains SVHC substances >0,1% w/w

Contains lead - SVHC list [REACH] as of 23.01.2024.

#### Contains Proposition 65 substances



Lead can cause cancer and reproductive harm from exposure  
<https://www.P65Warnings.ca.gov/>

#### Free from Conflict Minerals

This product does not contain any substances designated as "conflict minerals" such as tantalum, tin, gold or tungsten from the Democratic Republic of Congo or adjacent countries.