

Knurled Nuts • plastic  
24820.0008



Product Description

Material

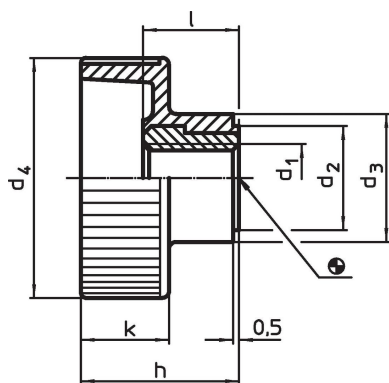
Bushing

- Steel, zinc-plated by galvanization

Handle

- Thermoplastic PA, black

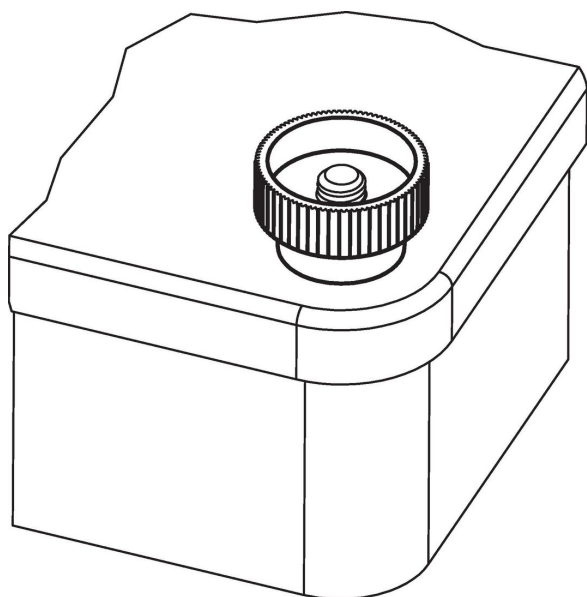
Drawing



Order information

Dimensions							min.  max.	[g]	Art. No.	
d <sub>1</sub>	d <sub>2</sub>	d <sub>3</sub>	d <sub>4</sub>	h	k	l				[°C]
Steel										
M8	14	16	30	19.5	11	11.5	-30	80	10	24820.0008

Application example



## Compliance

### RoHS compliant

Contains lead - compliant according to exceptions 6a / 6b / 6c.

### Contains SVHC substances >0,1% w/w

Contains lead - SVHC list [REACH] as of 23.01.2024.

### Contains Proposition 65 substances



Lead can cause cancer and reproductive harm from exposure  
<https://www.P65Warnings.ca.gov/>

### Free from Conflict Minerals

This product does not contain any substances designated as "conflict minerals" such as tantalum, tin, gold or tungsten from the Democratic Republic of Congo or adjacent countries.