

High Knurled Nuts • DIN 466

24780.0120



Product Description

Material

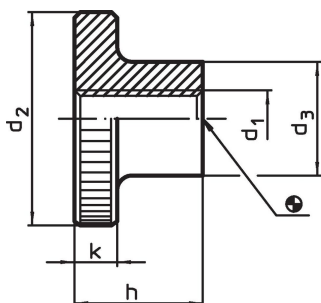
- Steel, blackened, quality 5

More information

Notes

Knurling pitch and knurling depth may differ from DIN.

Drawing

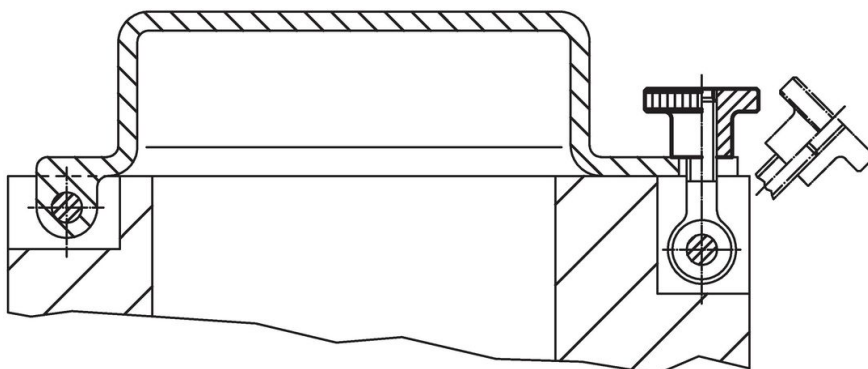


Order information

d ₁	d ₂	Dimensions			k	[g]	Art. No. ¹⁾
		d ₃	h	[mm]			
Steel							
M12	40	22	25	10	119	24780.0120	

¹⁾ DIN standards do not include these dimensions.

Application example



Compliance

RoHS compliant

Contains lead - compliant according to exceptions 6a / 6b / 6c.

Contains SVHC substances >0,1% w/w

Contains lead - SVHC list [REACH] as of 23.01.2024.

Contains Proposition 65 substances



Lead can cause cancer and reproductive harm from exposure
<https://www.P65Warnings.ca.gov/>

Free from Conflict Minerals

This product does not contain any substances designated as "conflict minerals" such as tantalum, tin, gold or tungsten from the Democratic Republic of Congo or adjacent countries.