

Flat Knurled Nuts • DIN 467

24760.0100



Product Description

Material

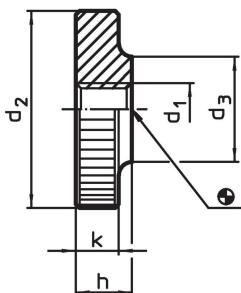
- Steel, blackened, quality 5

More information

Notes

Knurling pitch and knurling depth may differ from DIN.

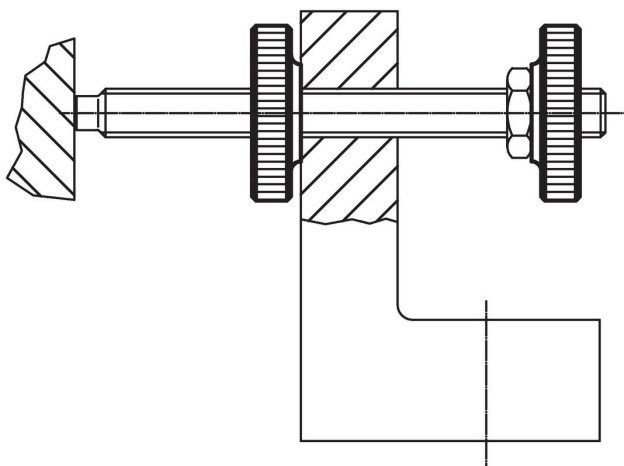
Drawing



Order information

| d ₁ | d ₂ | Dimensions | | | [g] | Art. No. |
|----------------|----------------|----------------|----|---|-----|------------|
| | | d ₃ | h | k | | |
| [mm] | | | | | | |
| Steel | | | | | | |
| M10 | 36 | 20 | 10 | 8 | 61 | 24760.0100 |

Application example



Compliance

RoHS compliant

Contains lead - compliant according to exceptions 6a / 6b / 6c.

Contains SVHC substances >0,1% w/w

Contains lead - SVHC list [REACH] as of 23.01.2024.

Contains Proposition 65 substances



Lead can cause cancer and reproductive harm from exposure
<https://www.P65Warnings.ca.gov/>

Free from Conflict Minerals

This product does not contain any substances designated as "conflict minerals" such as tantalum, tin, gold or tungsten from the Democratic Republic of Congo or adjacent countries.