

**Palm Grips** • similar to DIN 6335, stainless steel A4  
24631.1432



**Product Description**

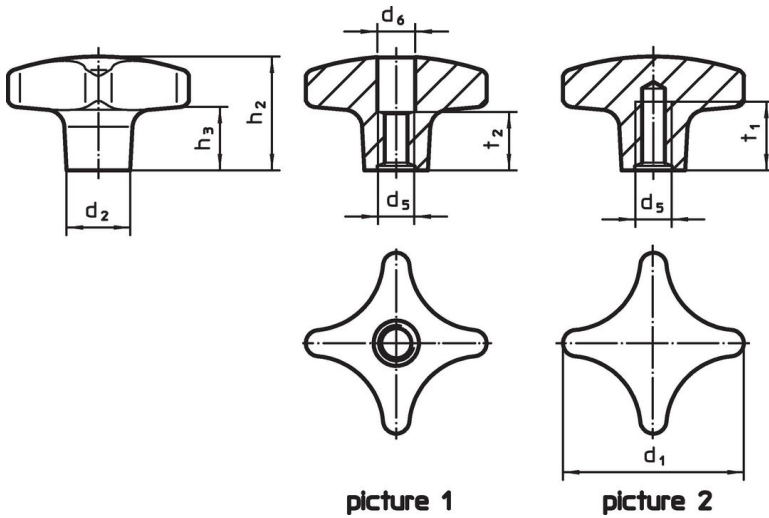
Version without dirt trap. Convenient for all applications having high hygienic requirements (e.g. food industry).  
The stainless steel A4 version ensures maximum corrosion resistance.

**Material**

**Handle**

- Stainless steel A4, polished

**Drawing**



**Order information**

Dimensions						[g]	Art. No.
d <sub>1</sub>	d <sub>2</sub>	d <sub>5</sub>	h <sub>2</sub>	h <sub>3</sub>	t <sub>1</sub> min.		
with threaded blind hole – picture 2							
32	12	M6	20	9	12	39	24631.1432

**Compliance**

**RoHS compliant**

Compliant according to Directive 2011/65/EU and Directive 2015/863.

**Does not contain SVHC substances**

No SVHC substances with more than 0.1% w/w contained - SVHC list [REACH] as of 23.01.2024.

**Does not contain Proposition 65 substances**

No Proposition 65 substances included.  
<https://www.P65Warnings.ca.gov/>

**Free from Conflict Minerals**

This product does not contain any substances designated as "conflict minerals" such as tantalum, tin, gold or tungsten from the Democratic Republic of Congo or adjacent countries.