

Rotating Machine Handles • DIN 98

24460.0120

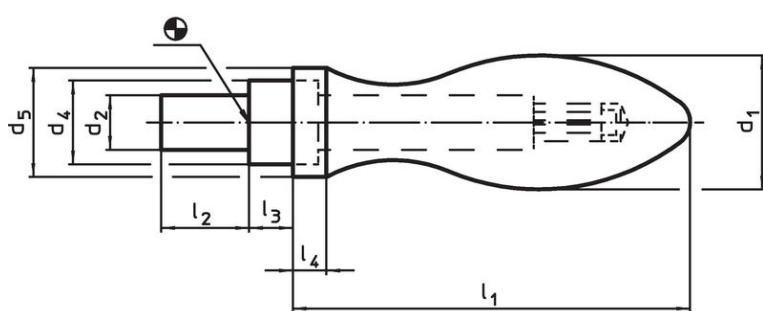


Product Description

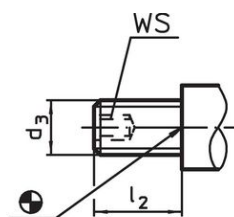
Material

- Steel, turned, zinc-plated by galvanization, passivated

Drawing



picture 1

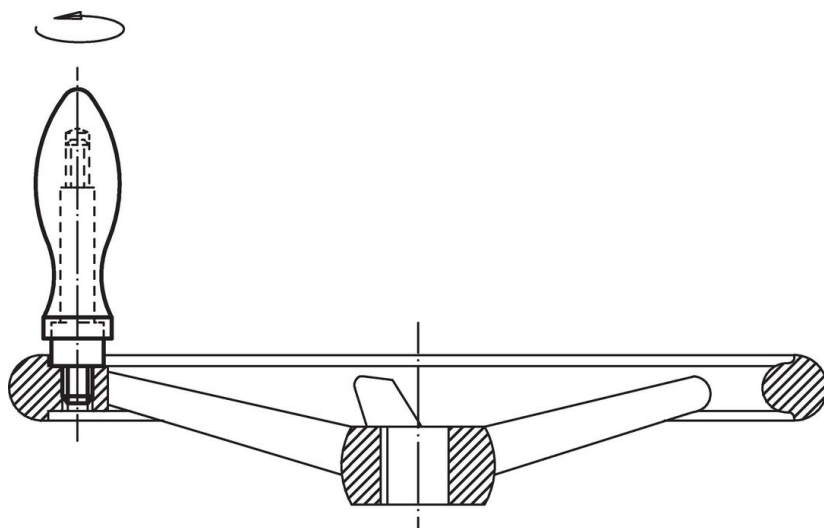


picture 2

Order information

Dimensions								WS	Art. No.	
d ₁	d ₃	d ₄ h13	d ₅ [mm]	l ₁ ~	l ₂	l ₃	l ₄	[mm]		[g]
with male thread lug, form E – picture 2										
20	M8	13	18	61	13	6	6	4	105	24460.0120

Application example



Compliance

RoHS compliant

Contains lead - compliant according to exceptions 6a / 6b / 6c.

Contains SVHC substances >0,1% w/w

Contains lead - SVHC list [REACH] as of 27.06.2024.

Contains Proposition 65 substances



Lead can cause cancer and reproductive harm from exposure

<https://www.P65Warnings.ca.gov/>

Free from Conflict Minerals

This product does not contain any substances designated as "conflict minerals" such as tantalum, tin, gold or tungsten from the Democratic Republic of Congo or adjacent countries.