

Machine Handles · DIN 39

24450.0136

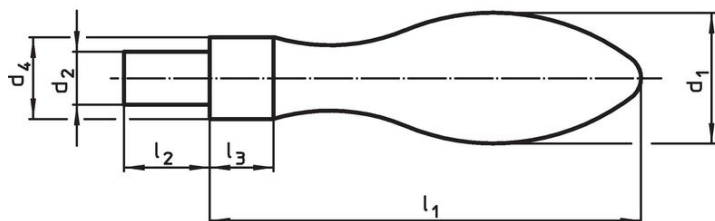


Product Description

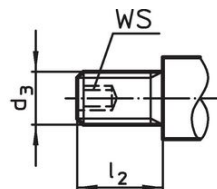
Material

- Steel, turned, zinc-plated by galvanization, passivated

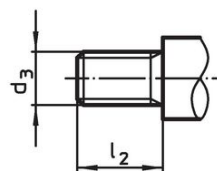
Drawing



picture 1



picture 2

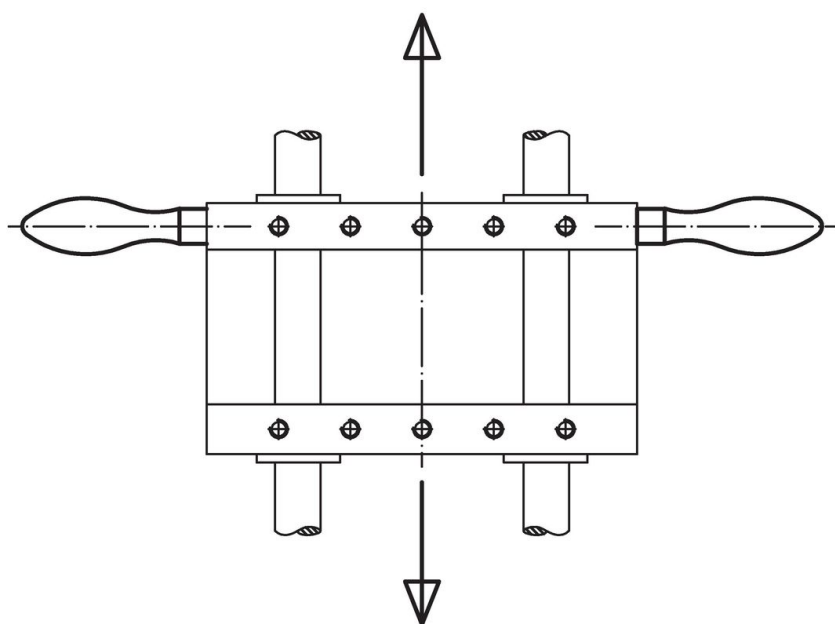


picture 3

Order information

Dimensions						WS		Art. No.
d ₁	d ₃	d ₄ h ₁₃	l ₁	l ₂	l ₃			
[mm]						[mm]	[g]	
with male thread lug, form E – picture 2, Steel								
36	M16	22	112	26	14	8	509	24450.0136

Application example



Compliance

RoHS compliant

Contains lead - compliant according to exceptions 6a / 6b / 6c.

Contains SVHC substances >0,1% w/w

Contains lead - SVHC list [REACH] as of 23.01.2024.

Contains Proposition 65 substances



Lead can cause cancer and reproductive harm from exposure
<https://www.P65Warnings.ca.gov/>

Free from Conflict Minerals

This product does not contain any substances designated as "conflict minerals" such as tantalum, tin, gold or tungsten from the Democratic Republic of Congo or adjacent countries.