

Tension Levers

24430.0236



Product Description

Material

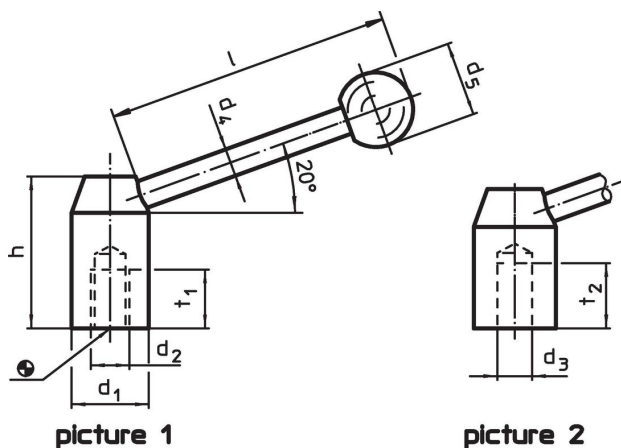
Lever

- Stainless steel 1.4305, dull blasted

Ball knob

- Thermosetting plastic PF 31, black, DIN 319

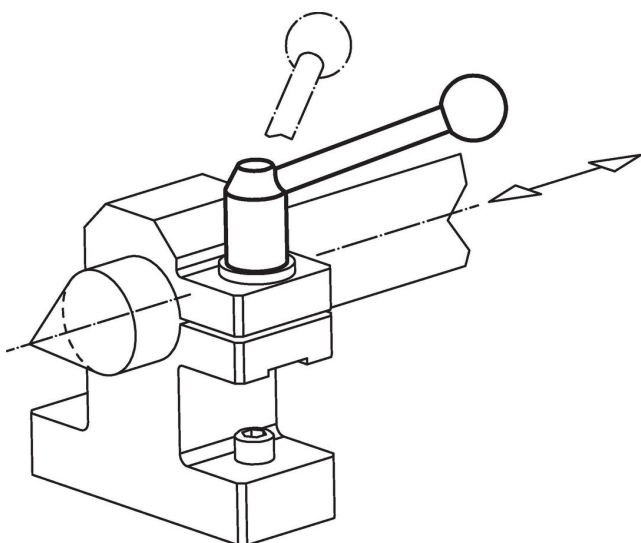
Drawing



Order information

Dimensions							[g]	Art. No.
d ₁	d ₂	d ₄	d ₅	h	l	t ₁		
[mm]								
with female thread – picture 1, Stainless steel								
25	M10	10	25	42	95	18	186	24430.0236

Application example



Compliance

RoHS compliant

Compliant according to Directive 2011/65/EU and Directive 2015/863.

Does not contain SVHC substances

No SVHC substances with more than 0.1% w/w contained - SVHC list [REACH] as of 27.06.2024.

Does not contain Proposition 65 substances

No Proposition 65 substances included.

<https://www.P65Warnings.ca.gov/>

Free from Conflict Minerals

This product does not contain any substances designated as "conflict minerals" such as tantalum, tin, gold or tungsten from the Democratic Republic of Congo or adjacent countries.