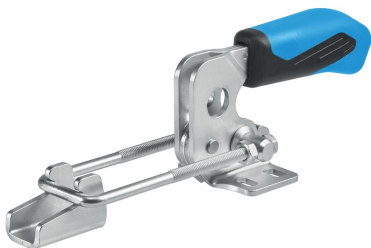


## Toggle Clamps Hook Type · with horizontal base

23330.3005



### Product Description

Due to their favourable power to movement ratio and their easy action the toggle clamps are versatile applicable for a wide range of uses.

The toggle clamps are manufactured from high quality components and are designed for maintenance-free continuous use.

An oil resistant ergonomic 2-component handle, with slip-proof, soft surface and large grip area for high ease of use.

### Material

#### Clamp

- Steel, zinc-plated by galvanization, passivated

#### Rivet

- Stainless steel

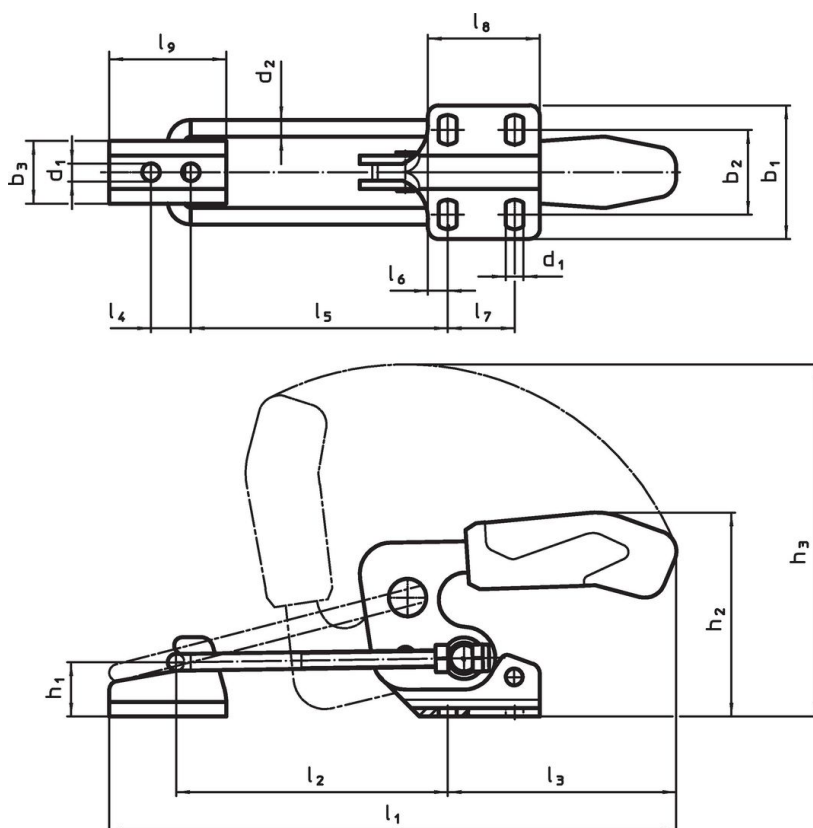
#### Handle

- plastic

#### Counter catch

- Steel, zinc-plated by galvanization, passivated



### Drawing



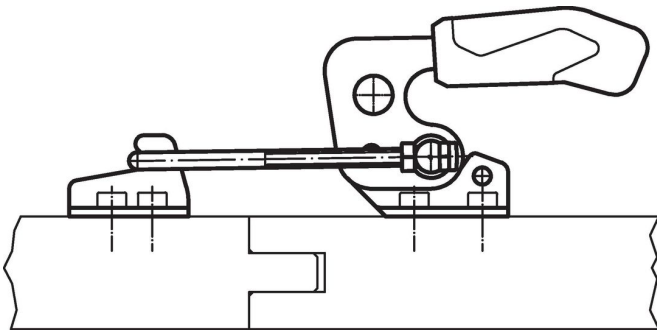
### Order information

Nominal size	Dimensions																			Holding force			Art. No.			
	d <sub>1</sub>	d <sub>2</sub>	b <sub>1</sub>	b <sub>2</sub>	b <sub>3</sub>	h <sub>1</sub>	h <sub>2</sub>	h <sub>3</sub>	l <sub>1</sub>	l <sub>1</sub>	l <sub>2</sub>	l <sub>2</sub>	l <sub>3</sub>	l <sub>4</sub>	l <sub>5</sub>	l <sub>5</sub>	l <sub>6</sub>	l <sub>7</sub>	l <sub>8</sub>	l <sub>9</sub>	F <sub>1</sub>	min.		max.		
	[mm]																			[kN]	[°C]	[g]				
Steel	5	8.5	8	64.3	35 - 46	30	26	94.5	171.5	209	273	66	130	111	19	59	123	9.5	32	53.5	56	7	-10	80	821	23330.3005

Accessories

	Nominal size	l <sub>9</sub> [mm]	b <sub>3</sub> [mm]	d <sub>1</sub> [mm]	l <sub>4</sub> [mm]	 [g]	Art. No.
<b>Counter catch (accessories for toggle clamps hook type), Steel</b>							
	5	56	30	8.5	19	108	23330.9025

Application example



Compliance

**RoHS compliant**

Compliant according to Directive 2011/65/EU and Directive 2015/863.

**Does not contain SVHC substances**

No SVHC substances with more than 0.1% w/w contained - SVHC list [REACH] as of 23.01.2024.

**Does not contain Proposition 65 substances**

No Proposition 65 substances included.  
<https://www.P65Warnings.ca.gov/>

**Free from Conflict Minerals**

This product does not contain any substances designated as "conflict minerals" such as tantalum, tin, gold or tungsten from the Democratic Republic of Congo or adjacent countries.