

Eccentric Clamps

23271.0004



Product Description

The eccentric clamp allows clamping with pull-down effect on different workpiece forms at low height.

Material

- Case-hardened steel, case-hardened and blue zinc-plated

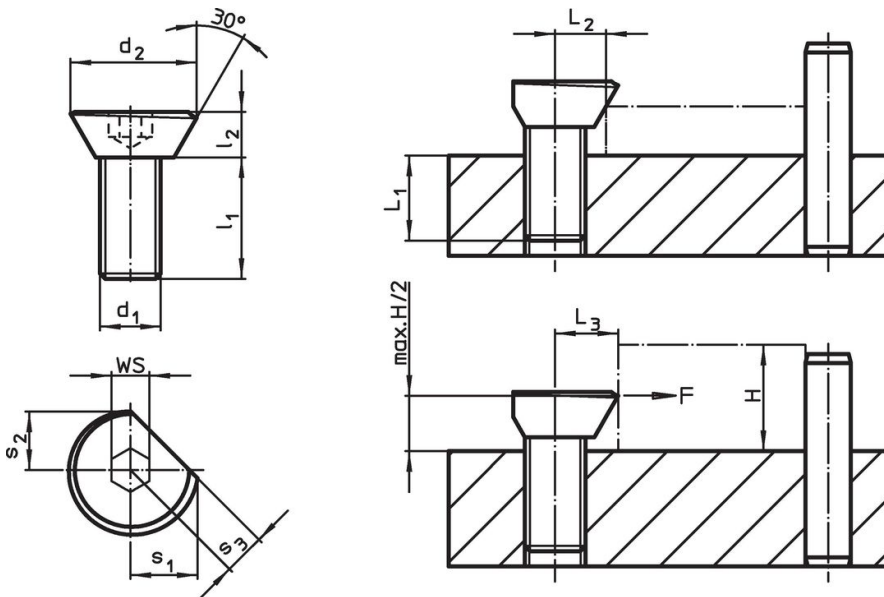
Assembly

1. Manufacture a thread with the corresponding distance L_2 / L_3 to the workpiece.
2. Screw in the eccentric clamp at the necessary height and set it relative to the workpiece with its flat side.
3. Insert the workpiece and tighten the clamping pin using the internal hexagon. The proper tension is achieved after approx. 1/3 turn.

The threaded hole must be lubricated on a regular basis.

The rotational movement during tightening must always be completed towards the stops in order to prevent the workpiece from turning away from the stops.

Drawing



Order information

| d ₁ | d ₂ | Dimensions | | | | | L ₁ | L ₂ | L ₃ ±0.2 | WS | Clamping force max. | Tightening torque max. | ⚙️ | Art. No. |
|----------------|----------------|----------------|----------------|----------------|----------------|----------------|----------------|----------------|------------------------|-----|------------------------|------------------------------|-----|------------|
| | | l ₁ | l ₂ | s ₁ | s ₂ | s ₃ | | | | | | | | |
| M4 | 8.7 | 8 | 3 | 4.6 | 4 | 3 | 4 | 3.5 | 4.2 | 2.5 | 0.09 | 1.5 | 1.4 | 23271.0004 |

Application example



Compliance

Contains lead - compliant according to exceptions 6a / 6b / 6c.

Contains SVHC substances >0,1% w/w

Contains lead - SVHC list [REACH] as of 23.01.2024.

Contains Proposition 65 substances



Lead can cause cancer and reproductive harm from exposure
<https://www.P65Warnings.ca.gov/>