

## Positioning Clamping Pins

23111.0025



### Product Description

The positioning clamping pin allows fast clamping, fastening, adjusting, changing and securing of workpieces, plates, fixture systems etc.

### Material

- Heat-treated steel, tempered, blackened

### Operation

By tightening the clamping bolt, the positioning clamping pin is centred and clamped in the locating bushing by means of four balls. The clamping bolt can be operated manually via a removable handle (Art. No. 23111.0900/.0902) or using a hexagon key.

### More information

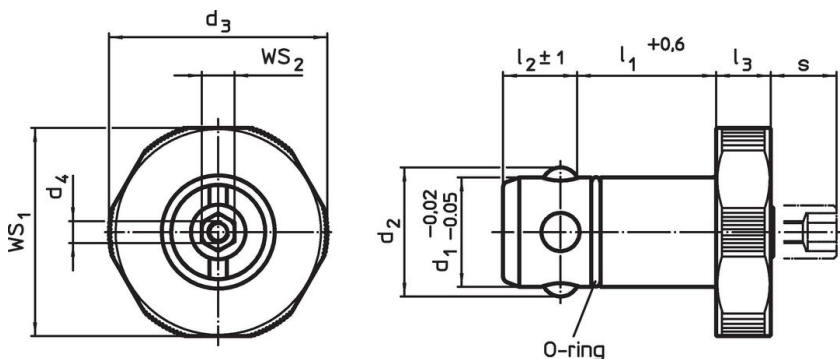
### Accessories

Suitable bushings are available.

### Further products

- Manual Handles, for positioning clamping pins
- Bushings, for positioning clamping pins
- Locating Bushings, for positioning clamping pins, for press fit
- Locating Bushings, for positioning clamping pins, for screw fit

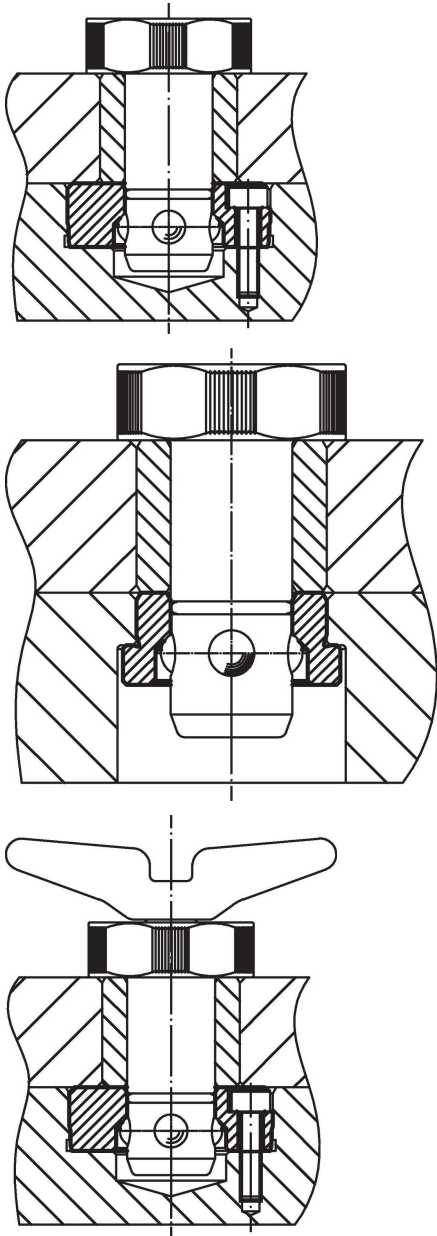
### Drawing

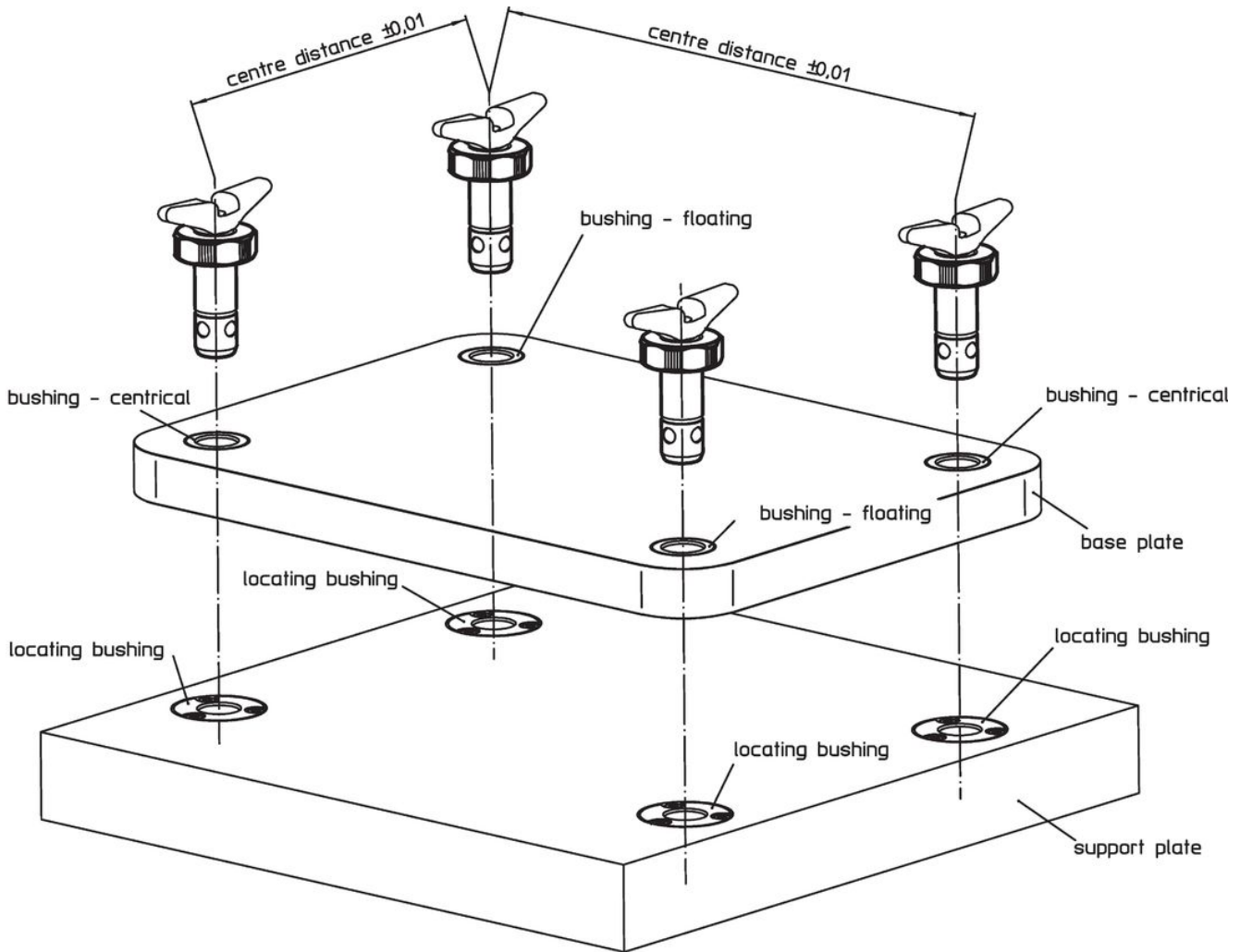


### Order information

Dimensions		For base plates		$WS_1$	$WS_2$	Holding force		Art. No.
$d_1$	$l_1$	$d_2$	$d_3$	$d_4$	$l_2$	$l_3$	$s$	
-0.02	+0.6				$\pm 1$		max.	
-0.05								
[mm]				[mm]	[mm]	[mm]	[mm]	[kN]
				[mm]	[mm]	[mm]	[mm]	[g]
Heat-treated steel								
25	25	29	45	M4	18.6	10	9	20
								43
								10
								8
								270
								23111.0025

Application example





## Compliance

### RoHS compliant

Contains lead - compliant according to exceptions 6a / 6b / 6c.

### Contains SVHC substances >0,1% w/w

Contains lead - SVHC list [REACH] as of 23.01.2024.

### Contains Proposition 65 substances



Lead can cause cancer and reproductive harm from exposure  
<https://www.P65Warnings.ca.gov/>

### Free from Conflict Minerals

This product does not contain any substances designated as "conflict minerals" such as tantalum, tin, gold or tungsten from the Democratic Republic of Congo or adjacent countries.