

## Spherical Washers / Conical Seats • DIN 6319

23050.0164



### Product Description

Spherical washers / Conical seats are used as washers in a screw connection to compensate non-parallel surfaces.

### Material

#### Conical seat

- Case-hardened steel, case-hardened, manganese phosphated

### Assembly

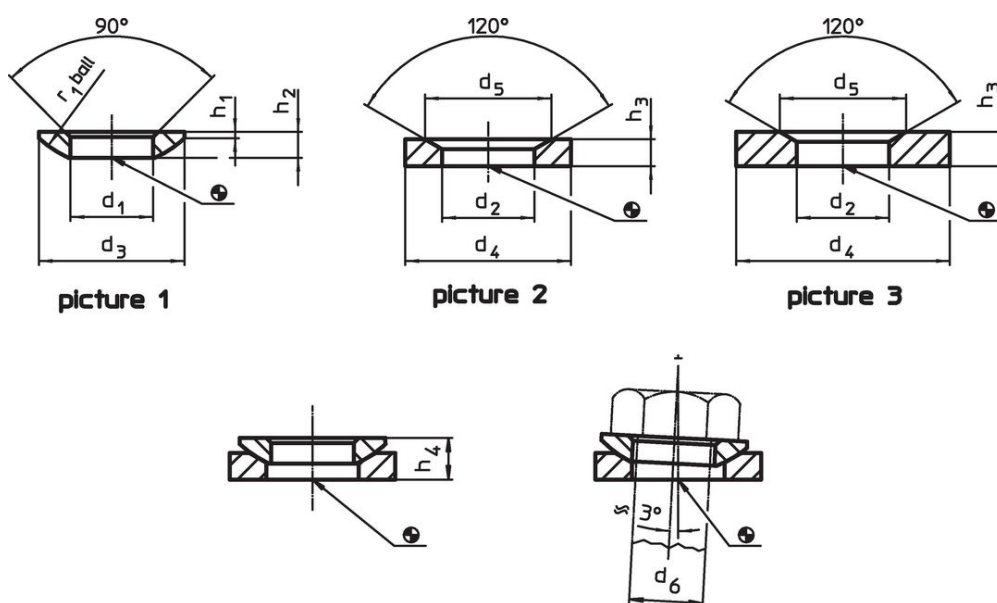
Conical seats form D are to be used only for plain, closed round areas.  
For larger holes only use form G!

### More information

### Further products

- Spherical Washers / Conical Seats, similar to DIN 6319, stainless steel
- Fixture Nuts, DIN 6330 (height 1,5 d)

### Drawing



### Order information

d <sub>2</sub> H13	Dimensions			For pin d <sub>6</sub> [mm]	For screws d <sub>6</sub> [mm]	Load capacity for static load <sup>1)</sup> max. [kN]	Torque for screwed connections <sup>1) 2)</sup> max. [Nm]	Art. No. <sup>3)</sup>
	d <sub>4</sub>	d <sub>5</sub>	h <sub>3</sub>					
[mm]								
conical seats from case-hardened steel, form D – picture 2								
75	120	110	30	64	M64	1269	14762	1430 23050.0164

<sup>1)</sup> Figures theoretically determined

<sup>2)</sup> Torques of screws with standard thread, eventual pre-loads to be considered, coefficient of friction  $\mu_{total}$  0.14.

<sup>3)</sup> DIN standards do not include these dimensions.

## Application example



## Compliance

### RoHS compliant

Compliant according to Directive 2011/65/EU and Directive 2015/863.

### Does not contain SVHC substances

No SVHC substances with more than 0.1% w/w contained - SVHC list [REACH] as of 23.01.2024.

### Does not contain Proposition 65 substances

No Proposition 65 substances included.

<https://www.P65Warnings.ca.gov/>

### Free from Conflict Minerals

This product does not contain any substances designated as "conflict minerals" such as tantalum, tin, gold or tungsten from the Democratic Republic of Congo or adjacent countries.