

## Seating Elements · with plastic bearing surface, orienting

22600.0005



### Product Description

Can be used as screw-in foot or thrust pad. The plastic coating is gentle and protects high-quality surfaces. In addition, the oscillating seating is suitable for non-parallel surfaces.

### Material

#### Ball element

- Stainless steel 1.4305

#### Nut

- Stainless steel A2

#### Pad

- Plastic (PEEK), blue

### More information

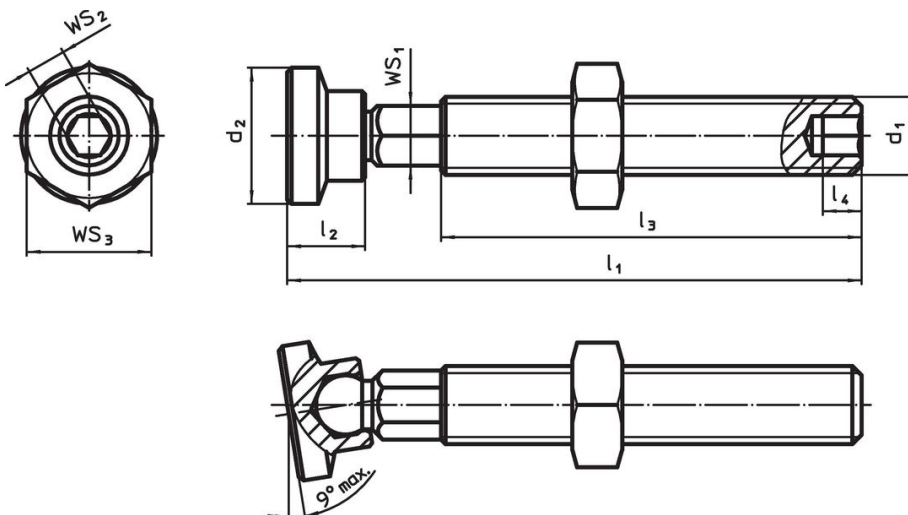
#### Notes

Special types on request.


#### Further products

- Thrust Pads, plastic
- Pins, with plastic bearing surface

### Drawing



## Order information

d <sub>1</sub>	l <sub>1</sub> ±1	Dimensions				WS <sub>1</sub>	WS <sub>2</sub>	WS <sub>3</sub>	min.	max.		Art. No.
		d <sub>2</sub>	l <sub>2</sub>	l <sub>3</sub>	l <sub>4</sub>							
M5	37	8.5	5	27	2.5	4	2.5	8	-60	250	4.9	22600.0005

## Compliance

### RoHS compliant

Compliant according to Directive 2011/65/EU and Directive 2015/863.

### Does not contain SVHC substances

No SVHC substances with more than 0.1% w/w contained - SVHC list [REACH] as of 23.01.2024.

### Does not contain Proposition 65 substances

No Proposition 65 substances included.

<https://www.P65Warnings.ca.gov/>

### Free from Conflict Minerals

This product does not contain any substances designated as "conflict minerals" such as tantalum, tin, gold or tungsten from the Democratic Republic of Congo or adjacent countries.