

C-Washers · DIN 6372

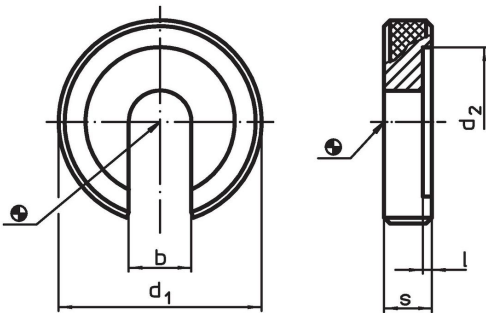
22290.0036

**Product Description**

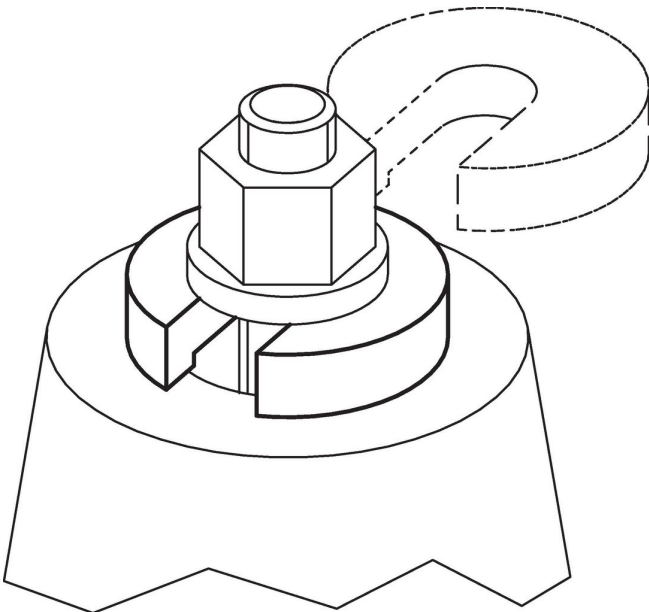
The c-washers (slotted washers) are manufactured according to DIN 6372. For better handling, the c-washers have a knurling all around.

Material

- Heat-treated steel, tempered, blackened

Drawing**Order information**

Nominal size	Dimensions					[g]	Art. No.
	b	d ₁	d ₂	l	s		
[mm]			[mm]				
36	37	100	75	2.5	20	796	22290.0036

Application example

Compliance

RoHS compliant

Compliant according to Directive 2011/65/EU and Directive 2015/863.

Does not contain SVHC substances

No SVHC substances with more than 0.1% w/w contained - SVHC list [REACH] as of 27.06.2024.

Does not contain Proposition 65 substances

No Proposition 65 substances included.

<https://www.P65Warnings.ca.gov/>

Free from Conflict Minerals

This product does not contain any substances designated as "conflict minerals" such as tantalum, tin, gold or tungsten from the Democratic Republic of Congo or adjacent countries.