

Lateral Plungers • smooth, without seal, with female thread
22150.1025



Product Description

To be used for positioning and applying pressure, e.g. during painting and sandblasting.

Material

- Body**
- Aluminium Al
- Threaded washer**
- Steel, blackened
- Spring**
- Stainless steel

Assembly

Formula for calculating the center distance for the mounting hole:

$$l_0 = z/2 + w + x,$$

l_0 = center distance,

y = workpiece height,

w = workpiece length,

x = stroke,

z = stop diameter

Calculation dimension x for workpieces:

$$x = d_2/2 - s$$

Installation by pressing in.

Characteristic

Version light spring load = spring from stainless steel

More information

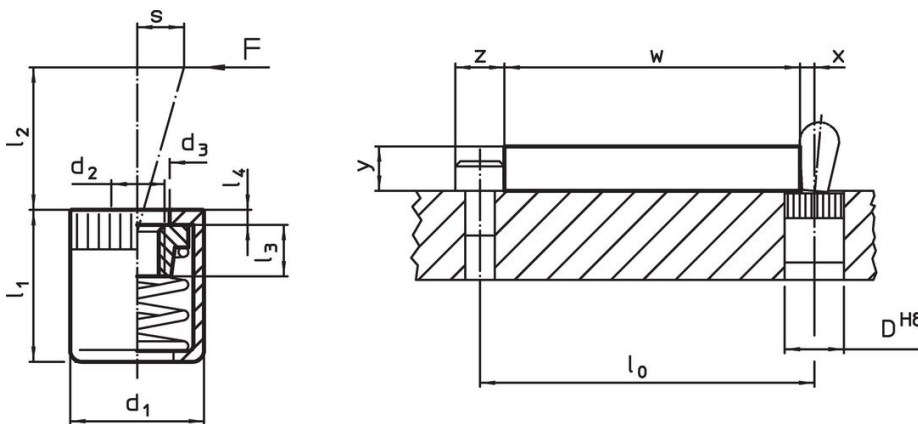
Notes

Individual set screws can be screwed in the plate with threaded hole.

Further products

- Eccentric Mounting Bushings, for lateral plungers, smooth

Drawing





Order information

| Dimensions | | Spring load F max. ¹⁾ ~ [N] | Dimensions | | | | | Stroke s [mm] | Location hole D H8 [mm] | max. [°C] | [g] | Art. No. |
|--------------------------|----------------|--|----------------|----------------------|----------------|----------------|----------------|---------------------|-------------------------------------|--------------|-----|------------|
| d ₁ | d ₂ | | d ₃ | l ₁ -1 | l ₂ | l ₃ | l ₄ | | | | | |
| [mm] | | | [mm] | | | | | | | | | |
| Light spring load | | | | | | | | | | | | |
| 10 | M4 | 40 | 6.3 | 11 | 10.7 | 4.5 | 1.2 | 1 | 10 | 250 | 1.9 | 22150.1025 |

¹⁾ statistical average value

Accessories

| | Dimensions d ₁ [mm] |  [g] | Art. No. |
|---|--------------------------------------|--|------------|
| assembly tool | | | |
|  | 10 | 49 | 22150.0831 |

Compliance

RoHS compliant

Compliant according to Directive 2011/65/EU and Directive 2015/863.

Does not contain SVHC substances

No SVHC substances with more than 0.1% w/w contained - SVHC list [REACH] as of 23.01.2024.

Does not contain Proposition 65 substances

No Proposition 65 substances included.

<https://www.P65Warnings.ca.gov/>

Free from Conflict Minerals

This product does not contain any substances designated as "conflict minerals" such as tantalum, tin, gold or tungsten from the Democratic Republic of Congo or adjacent countries.