

## Index Plungers · with hexagon collar and locking, stainless steel A4

22120.1180



### Product Description

Index plungers are used for indexing bores.  
The stainless steel A4 version ensures maximum corrosion resistance.

### Material

#### Body

- Stainless steel 1.4401

#### Locking pin

- Stainless steel 1.4401 nickel-plated

#### Knob

- Thermoplastic PA 6, black-grey, matt

#### Lock nut

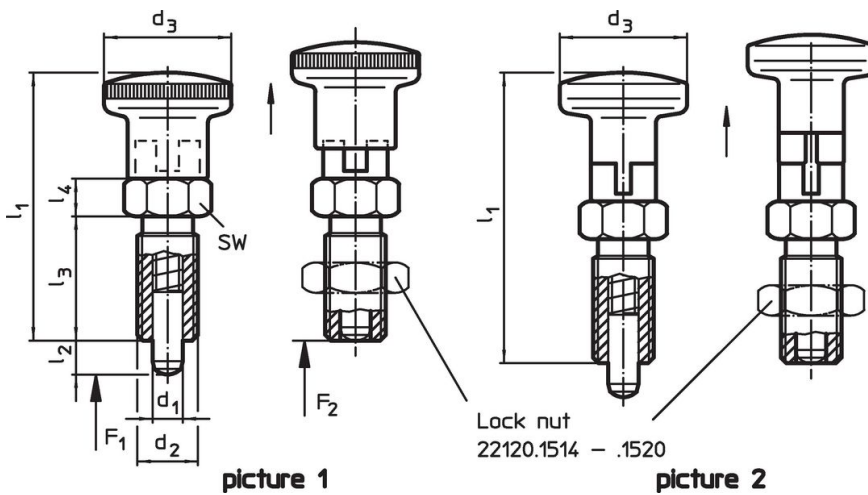
- Stainless steel 1.4401

### More information

#### Notes

Knob not removable.  
Lock nuts have to be purchased separately.

### Drawing





### Order information

Dimensions			Spring load <sup>1)</sup>		Temperature		Weight [g]	Art. No.
d <sub>1</sub>	d <sub>2</sub>	l <sub>2</sub> min.	d <sub>3</sub>	F <sub>1</sub>	F <sub>2</sub>	min.		
[mm]			[N]		[°C]			
-0.02 -0.05				~	~			
<b>with knob of thermoplastic – picture 1</b>								
10	M16 x 1,5	12	28	7.5	32	-30	80	70
								22120.1180

<sup>1)</sup> statistical average value

Accessories

	Dimensions d <sub>2</sub> [mm]	Wrench size [mm]	 [g]	Art. No.
<b>Lock nuts ISO 8675 (DIN 439), Stainless steel 1.4401</b>				
	M16 x 1,5	24	18.0	22120.1518

Compliance

**RoHS compliant**

Compliant according to Directive 2011/65/EU and Directive 2015/863.

**Does not contain SVHC substances**

No SVHC substances with more than 0.1% w/w contained - SVHC list [REACH] as of 23.01.2024.

**Does not contain Proposition 65 substances**

No Proposition 65 substances included.  
<https://www.P65Warnings.ca.gov/>

**Free from Conflict Minerals**