

## Mounting Blocks · for index bolts and index plungers

22120.0347



### Product Description

Assembly support and extended applications for index bolts.  
Also usable for index plungers size 6, 8 and 10.

### Material

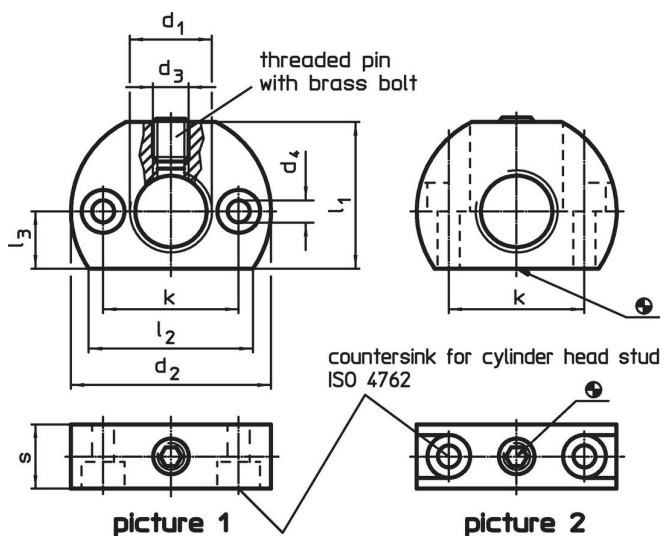
#### Grub Screw

- Steel, blackened, with brass pad

#### Body

- Steel, blackened

### Drawing



### Order information

| Dimensions  |                |                |                |           |                |                     |                |    | max.<br>[°C] | [g] | Art. No.   |  |
|---|----------------|----------------|----------------|-----------|----------------|---------------------|----------------|----|--------------|-----|------------|--|
| d <sub>1</sub>  | d <sub>2</sub> | d <sub>3</sub> | d <sub>4</sub> | k<br>±0.1 | l <sub>1</sub> | l <sub>2</sub><br>~ | l <sub>3</sub> | s  |              |     |            |  |
| mounting hole vertical to index bolt and index plunger – picture 2, Steel |                |                |                |           |                |                     |                |    |              |     |            |  |
| M12 x 1,5   | 32             | M5             | 4.5            | 21        | 22             | 26.5                | 9              | 12 | 250          | 37  | 22120.0347 |  |

## Application example



## Compliance

### RoHS compliant

Contains lead - compliant according to exceptions 6a / 6b / 6c.

### Contains SVHC substances >0,1% w/w

Contains lead - SVHC list [REACH] as of 23.01.2024.

### Contains Proposition 65 substances



Lead can cause cancer and reproductive harm from exposure  
<https://www.P65Warnings.ca.gov/>

### Free from Conflict Minerals

This product does not contain any substances designated as "conflict minerals" such as tantalum, tin, gold or tungsten from the Democratic Republic of Congo or adjacent countries.