

Index Plungers · with mounting flange, horizontal, stainless steel

22110.2345



Product Description

Index plungers are used for indexing bores.

Material

Housing

- Stainless steel 1.4308, precision casting, bright, matt blasted

Locking pin

- Stainless steel 1.4305

Knob

- Thermoplastic PA 6, black, dull

Assembly

Assembly by means of washers ISO 7092.

Operation

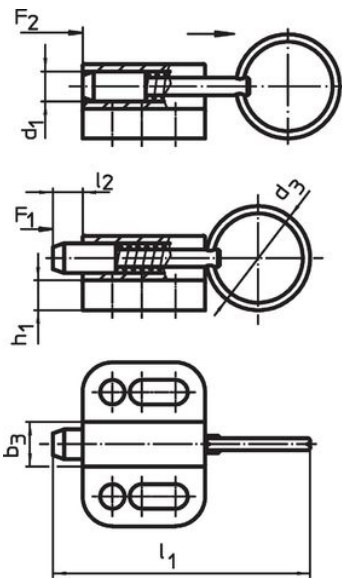
When using locking index plungers, the knob is pulled-out, turned 90° and secured by a notched catch (when locking pin should not overhang).

More information

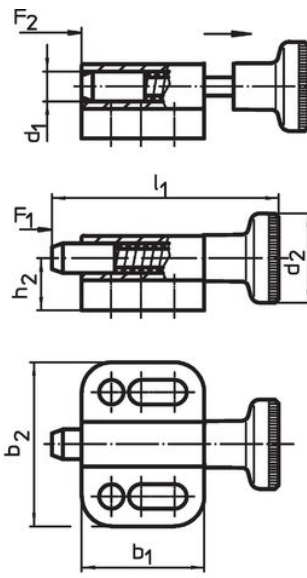
Notes

Knob not removable.

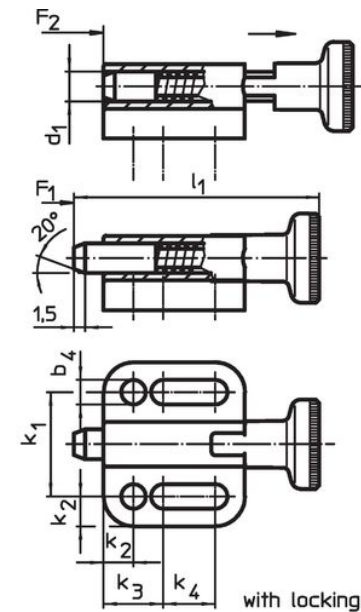
Drawing



without locking
picture 1



without locking
picture 2



with locking
picture 3

Order information

Dimensions														Spring load ¹⁾		Temperature		Weight	Art. No.
d ₁	d ₂	b ₁	b ₂	b ₃	b ₄	h ₁	h ₂	k ₁	k ₂	k ₃	k ₄	l ₁	l ₂	F ₁	F ₂	min.	max.		
h11					-0.2			±0.05					min.	~	~			[°C]	
with knob and locking – picture 3																			
5	16	25.5	28	8	4.3	4.5	9.5	18	5	10	10.5	43.5	5	5	24	-30	80	30	22110.2345

¹⁾ statistical average value

Compliance

RoHS compliant

Compliant according to Directive 2011/65/EU and Directive 2015/863.

Does not contain SVHC substances

No SVHC substances with more than 0.1% w/w contained - SVHC list [REACH] as of 23.01.2024.

Does not contain Proposition 65 substances

No Proposition 65 substances included.

<https://www.P65Warnings.ca.gov/>

Free from Conflict Minerals