

Index Plungers · with mounting flange, horizontal, stainless steel

22110.2326



Product Description

Index plungers are used for indexing bores.

Material

Housing

- Stainless steel 1.4308, precision casting, bright, matt blasted

Locking pin

- Stainless steel 1.4305

Knob

- Thermoplastic PA 6, black, dull

Assembly

Assembly by means of washers ISO 7092.

Operation

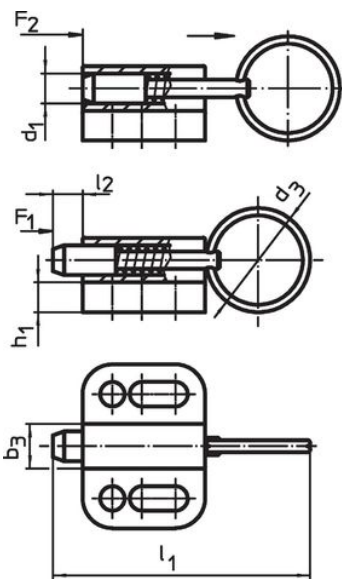
When using locking index plungers, the knob is pulled-out, turned 90° and secured by a notched catch (when locking pin should not overhang).

More information

Notes

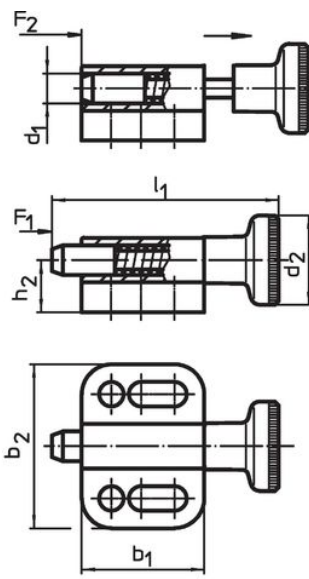
Knob not removable.

Drawing



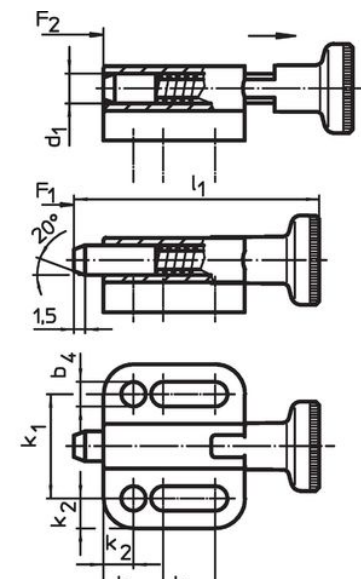
without locking

picture 1



without locking

picture 2



with locking

picture 3

Order information

Dimensions														Spring load ¹⁾		Temperature		Weight [g]	Art. No.	
d ₁	d ₂	b ₁	b ₂	b ₃	b ₄	h ₁	h ₂	k ₁	k ₂	k ₃	k ₄	l ₁	l ₂	F ₁	F ₂	min.	max.			[°C]
h11					-0.2			±0.05					min.	~	~			[°C]		
with knob, without locking – picture 2																				
6	18	27.5	32	10	5.4	5	10.5	21	5.5	12	10	49	6	5	21	-30	80	44	22110.2326	

¹⁾ statistical average value

Compliance

RoHS compliant

Compliant according to Directive 2011/65/EU and Directive 2015/863.

Does not contain SVHC substances

No SVHC substances with more than 0.1% w/w contained - SVHC list [REACH] as of 27.06.2024.

Does not contain Proposition 65 substances

No Proposition 65 substances included.

<https://www.P65Warnings.ca.gov/>

Free from Conflict Minerals