

## Index Plungers · with mounting flange, horizontal, stainless steel

### 22110.2310



#### Product Description

Index plungers are used for indexing bores.

#### Material

##### Housing

- Stainless steel 1.4308, precision casting, bright, matt blasted

##### Locking pin

- Stainless steel 1.4305

##### Pull-ring

- Stainless steel 1.4310

#### Assembly

Assembly by means of washers ISO 7092.

#### Operation

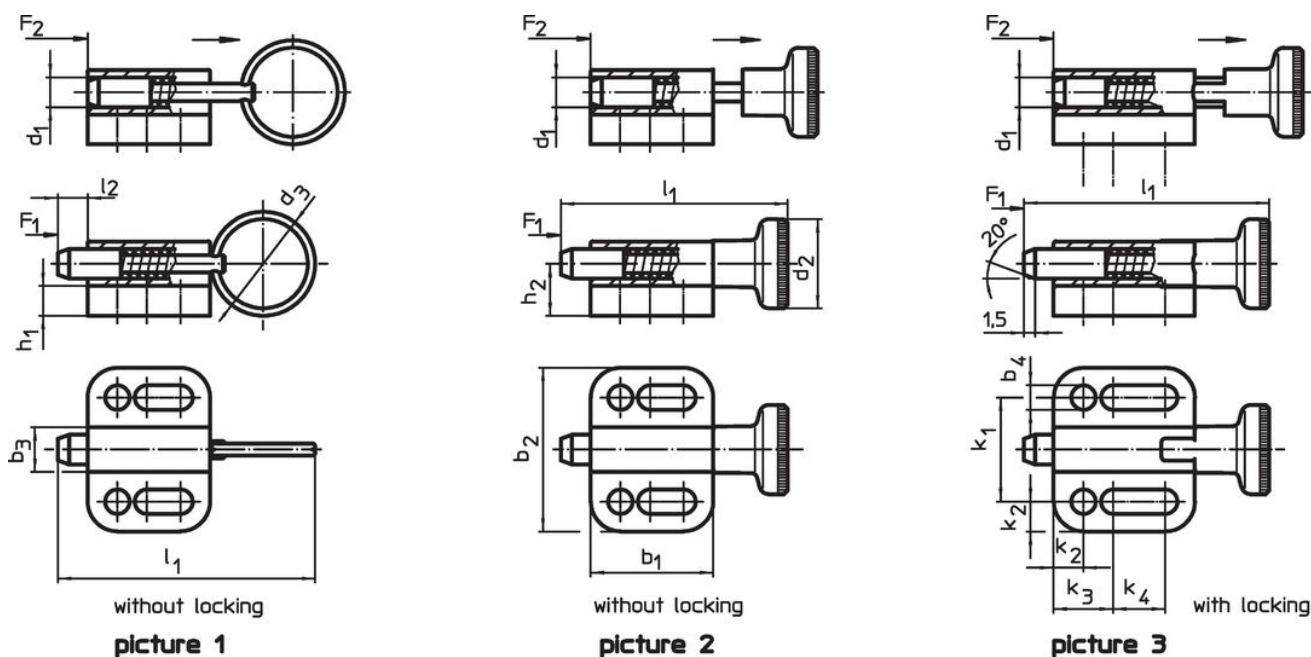
When using locking index plungers, the knob is pulled-out, turned 90° and secured by a notched catch (when locking pin should not overhang).

#### More information

#### Notes

Knob not removable.

#### Drawing



#### Order information

Dimensions														Spring load <sup>1)</sup>		🌡️	📦	Art. No.	
d <sub>1</sub>	d <sub>3</sub>	b <sub>1</sub>	b <sub>2</sub>	b <sub>3</sub>	b <sub>4</sub>	h <sub>1</sub>	h <sub>2</sub>	k <sub>1</sub>	k <sub>2</sub>	k <sub>3</sub>	k <sub>4</sub>	l <sub>1</sub>	l <sub>2</sub>	F <sub>1</sub>	F <sub>2</sub>	max.			
h11					-0.2			±0.05					min.	~	~				
[mm]														[N]		[°C]	[g]		
<b>with pull-ring, without locking – picture 1</b>																			
10	30	35	39	14.5	6.5	6	14.5	27	6	15	13.5	75	10	4	25	100	93	22110.2310	

<sup>1)</sup> statistical average value

## Compliance

### RoHS compliant

Compliant according to Directive 2011/65/EU and Directive 2015/863.

### Does not contain SVHC substances

No SVHC substances with more than 0.1% w/w contained - SVHC list [REACH] as of 23.01.2024.

### Does not contain Proposition 65 substances

No Proposition 65 substances included.

<https://www.P65Warnings.ca.gov/>

### Free from Conflict Minerals