

Index Plungers Compact • with hexagon collar and locking

22110.2230



Product Description

Index plungers are used for indexing bores.
Types with / without lock have the same building height.
Due to a thread recess the index plungers can be completely screwed in.

Material

Body

- Stainless steel 1.4305

Locking pin

- Stainless steel 1.4305, nickel-plated

Knob

- Thermoplastic PA 6, black, dull
- Thermoplast PA 6, red, dull

Assembly

The screw length can be adapted by distance collars for index plungers (EH 22120.).

Operation

The knob is pulled-out, turned 90° and secured by a notched catch (when locking pin should not overhang).

More information

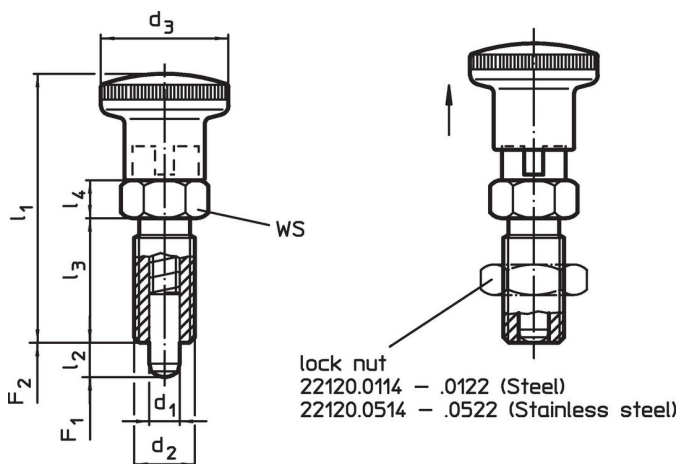
Notes

Knob not removable.
Lock nuts have to be purchased separately.

Further products

- Mounting Blocks, for index bolts and index plungers, die-cast
- Locating Bushings, for index bolts and index plungers
- Distance Collars, for index plungers

Drawing




Order information

| Dimensions | | | | | | | WS [mm] | Spring load ¹⁾ | | Temperature | | Weight [g] | Art. No. |
|--|----------------|------------------------|----------------|----------------|----------------|----------------|------------|---------------------------|---------------------|-------------|------|---------------|------------|
| d ₁ -0.02 -0.05 | d ₂ | l ₂ min. | d ₃ | l ₁ | l ₃ | l ₄ | | F ₁ ~ | F ₂ ~ | min. | max. | | |
| [mm] | | | | | | | [mm] | [N] | | [°C] | | [g] | |
| with knob, red, Stainless steel | | | | | | | | | | | | | |
| 6 | M12 x 1,5 | 9 | 23 | 48 | 22 | 6 | 14 | 6 | 25 | -30 | 80 | 32 | 22110.2230 |

¹⁾ statistical average value

Accessories

| Image | Dimensions | Wrench size | Weight [g] | Art. No. |
|---|------------------------|-------------|---------------|------------|
| | d ₂ [mm] | [mm] | | |
| Lock nuts ISO 8675 (DIN 439), Stainless steel | | | | |
|  | M12 x 1,5 | 18 | 7.5 | 22120.0516 |

Application example



Compliance

RoHS compliant

Compliant according to Directive 2011/65/EU and Directive 2015/863.

Does not contain SVHC substances

No SVHC substances with more than 0.1% w/w contained - SVHC list [REACH] as of 23.01.2024.

Does not contain Proposition 65 substances

No Proposition 65 substances included.

<https://www.P65Warnings.ca.gov/>

Free from Conflict Minerals

This product does not contain any substances designated as "conflict minerals" such as tantalum, tin, gold or tungsten from the Democratic Republic of Congo or adjacent countries.