

## Index Plungers Compact • with hexagon collar and locking, with T-Handle

22110.0936



### Product Description

Index plungers are used for indexing bores. Simple handling, e.g. when using safety gloves, with higher pull release. Types with / without lock have the same building height. Due to a thread recess the index plungers can be completely screwed in.

### Material

#### Body

- Stainless steel 1.4305

#### Locking pin

- Stainless steel 1.4305, nickel-plated

#### Knob

- Thermoplastic PA 6, black, dull

### Assembly

The screw length can be adapted by distance collars for index plungers (EH 22120.).

### Operation

The T-Handle is pulled out, turned 90° and secured by an internal notched catch (when locking pin should not overhang). The positions are defined distinctively by the T-Handle.

### More information

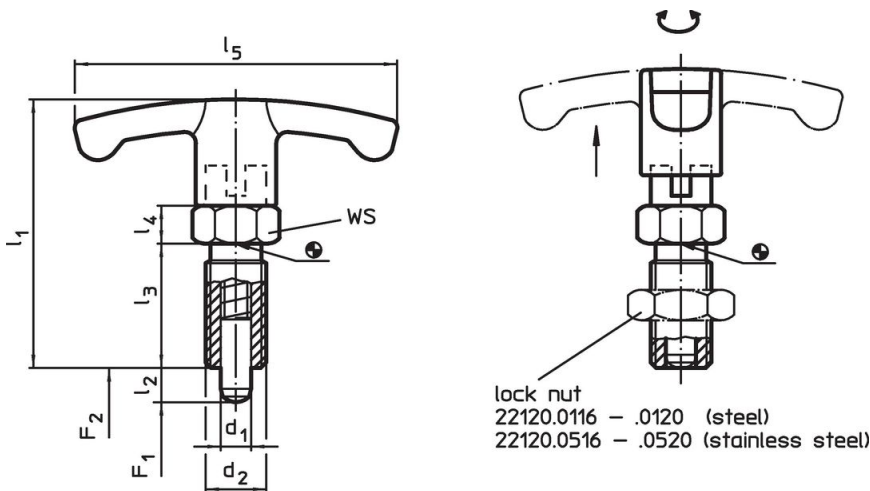
### Notes

Knob not removable. Lock nuts have to be purchased separately.

### Further products

- Mounting Blocks, for index bolts and index plungers, die-cast
- Locating Bushings, for index bolts and index plungers
- Distance Collars, for index plungers

### Drawing





### Order information

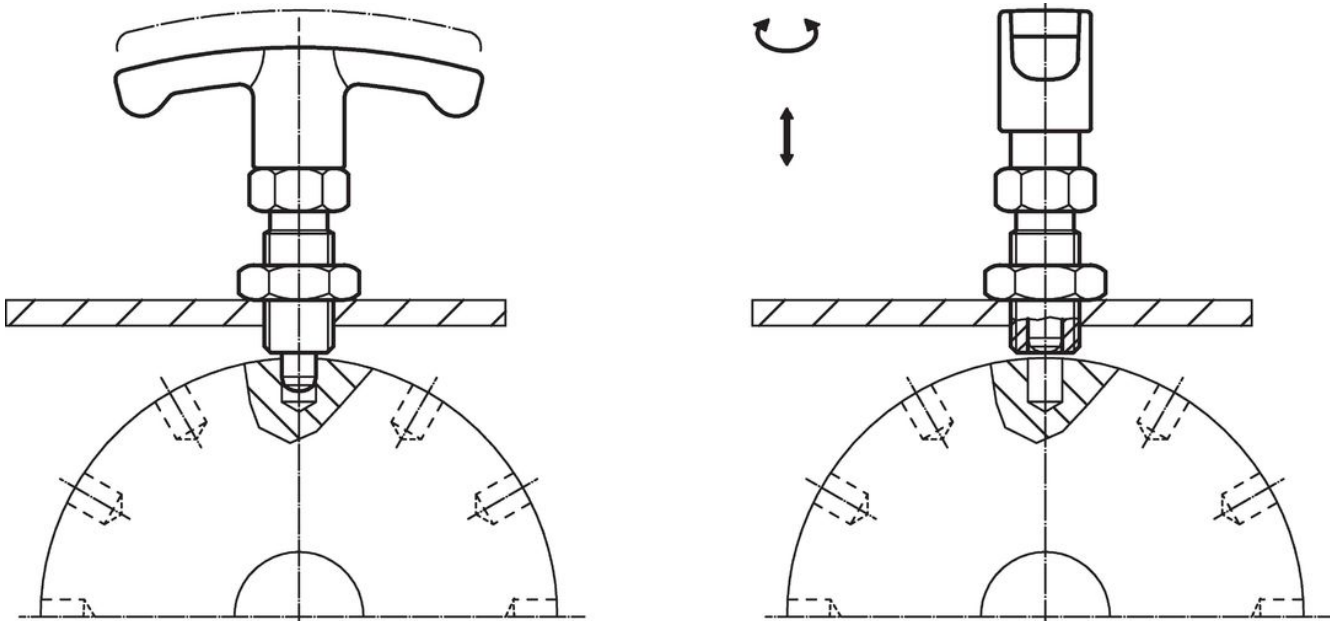
| Dimensions             |                |                |                |                |                |                | WS   | Spring load <sup>1)</sup> |                | Temperature |      | Weight | Art. No.   |
|------------------------|----------------|----------------|----------------|----------------|----------------|----------------|------|---------------------------|----------------|-------------|------|--------|------------|
| d <sub>1</sub>         | l <sub>2</sub> | d <sub>2</sub> | l <sub>1</sub> | l <sub>3</sub> | l <sub>4</sub> | l <sub>5</sub> |      | F <sub>1</sub>            | F <sub>2</sub> | min.        | max. | [g]    |            |
| [mm]                   |                |                |                |                |                |                | [mm] | [N]                       |                | [°C]        |      |        |            |
| -0.02<br>-0.05         |                |                |                |                |                |                |      | ~                         | ~              |             |      |        |            |
| <b>Stainless steel</b> |                |                |                |                |                |                |      |                           |                |             |      |        |            |
| 8                      | 8              | M16 x 1,5      | 59             | 26             | 8              | 59             | 17   | 8.5                       | 26             | -30         | 80   | 68     | 22110.0936 |

<sup>1)</sup> statistical average value

## Accessories

|   | Dimensions<br>$d_2$<br>[mm] | Wrench size<br>[mm] | <br>[g] | Art. No.   |
|---|-----------------------------|---------------------|--|------------|
| <b>Lock nuts ISO 8675 (DIN 439), Stainless steel</b>                              |                             |                     |  |            |
|  | M16 x 1,5                   | 24                  | 15.0   | 22120.0518 |

## Application example



## Compliance

### RoHS compliant

Compliant according to Directive 2011/65/EU and Directive 2015/863.

### Does not contain SVHC substances

No SVHC substances with more than 0.1% w/w contained - SVHC list [REACH] as of 23.01.2024.

### Does not contain Proposition 65 substances

No Proposition 65 substances included.

<https://www.P65Warnings.ca.gov/>

### Free from Conflict Minerals

This product does not contain any substances designated as "conflict minerals" such as tantalum, tin, gold or tungsten from the Democratic Republic of Congo or adjacent countries.