

Mounting Blocks · for index bolts and index plungers, die-cast

22110.0420



Product Description

Assembly support and extended applications for index bolts and index plungers. Also to be used as a seat for locating bushings EH 22110.

Material

Grub Screw

- Steel, blackened, with brass pad

Body

- Zinc die-cast, plastic coated, black

Assembly

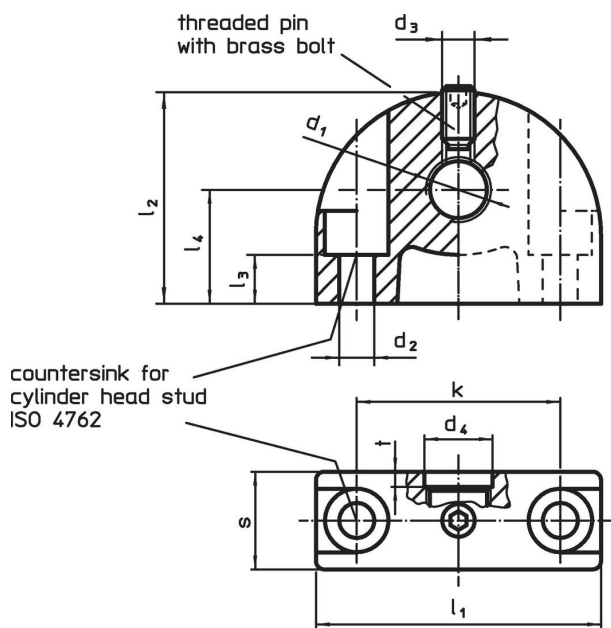
Index plunger must be assembled in hole d_1 on countersink side.

More information

Further products

- Positioning Bushings, for index bolts and index plungers

Drawing



Order information

| Dimensions | | | | | | | | | | | max. [°C] | [g] | Art. No. | | |
|--|-------|-------|-------|----|-------|-------|-------|-------|----|---|--------------|-----|------------|--|--|
| d_1 | d_2 | d_3 | d_4 | k | l_1 | l_2 | l_3 | l_4 | s | t | | | | | |
| mounting hole vertical to index bolt and index plunger | | | | | | | | | | | | | | | |
| M20 x 1,5 | 5.3 | M5 | 20.2 | 35 | 47 | 34 | 15.5 | 18 | 14 | 3 | 100 | 68 | 22110.0420 | | |

Application example



Compliance

RoHS compliant

Compliant according to Directive 2011/65/EU and Directive 2015/863.

Does not contain SVHC substances

No SVHC substances with more than 0.1% w/w contained - SVHC list [REACH] as of 23.01.2024.

Does not contain Proposition 65 substances

No Proposition 65 substances included.

<https://www.P65Warnings.ca.gov/>

Free from Conflict Minerals

This product does not contain any substances designated as "conflict minerals" such as tantalum, tin, gold or tungsten from the Democratic Republic of Congo or adjacent countries.