

Index Plungers Compact • with hexagon collar

22110.0157



Product Description

Index plungers are used for indexing bores.
Types with / without lock have the same building height.
Due to a thread recess the index plungers can be completely screwed in.

Material

Body

- Steel, blackened

Locking pin

- Steel, hardened

Assembly

The screw length can be adapted by distance collars for index plungers (EH 22120.).

More information

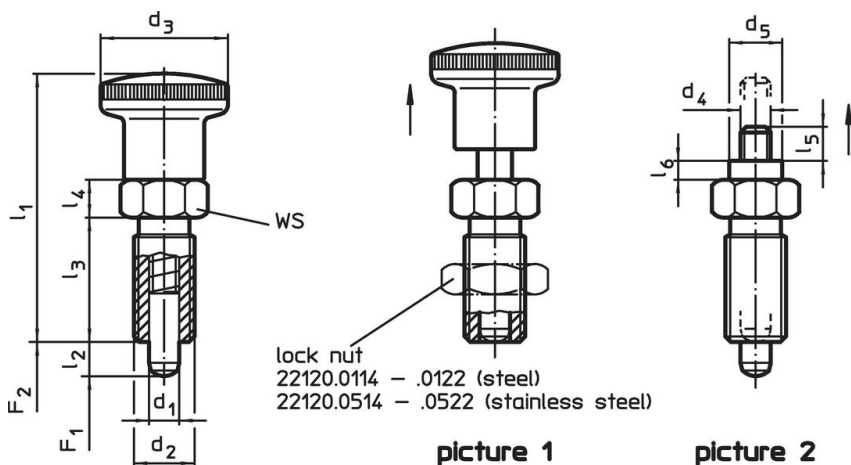
Notes

Knob not removable.
Lock nuts have to be purchased separately.

Further products

- Mounting Blocks, for index bolts and index plungers, die-cast
- Locating Bushings, for index bolts and index plungers
- Distance Collars, for index plungers

Drawing




Order information

Dimensions										WS	Spring load ¹⁾		max.	[g]	Art. No.
d ₁	d ₂	l ₂ min.	d ₄	d ₅	l ₃	l ₄	l ₅	l ₆	[mm]		F ₁ ~	F ₂ ~			
-0.02															
-0.05															
without knob – picture 2, Steel															
16	M24 x 2	20	M8	15	38	12	11.5	5	27	13	54	250	193	22110.0157	

¹⁾ statistical average value

Accessories

	Dimensions		Wrench size	[g]	Art. No.
	d ₂	[mm]			
Lock nuts ISO 8675 (DIN 439), Steel					
	M24 x 2		36	58.0	22120.0122

Application example



Compliance

RoHS compliant

Contains lead - compliant according to exceptions 6a / 6b / 6c.

Contains SVHC substances >0,1% w/w

Contains lead - SVHC list [REACH] as of 27.06.2024.

Contains Proposition 65 substances



Lead can cause cancer and reproductive harm from exposure

<https://www.P65Warnings.ca.gov/>

Free from Conflict Minerals

This product does not contain any substances designated as "conflict minerals" such as tantalum, tin, gold or tungsten from the Democratic Republic of Congo or adjacent countries.