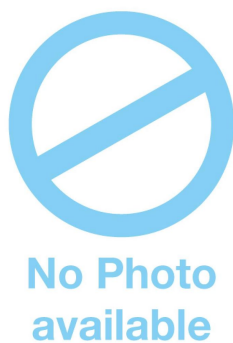


Spring Plungers • long version  
22070.0312



**Product Description**

To be used for ejecting, as a detent, for applying pressure or as a shock element.

**Material**

- Pin**
  - Stainless Steel 1.4305, nitrided
- Body**
  - Stainless steel 1.4305
- Spring**
  - Stainless steel

**Assembly**

Spring plungers can be mounted and removed by means of the slot or internal hexagon. Please use a special assembly tool for mounting with a slot (pin side).

**Characteristic**

Heavy spring load: marked with two lines



**More information**

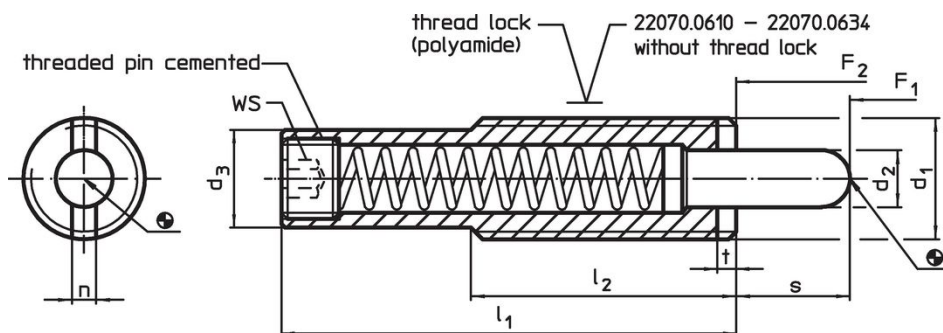
**Notes**

Special types on request.  
Spring plungers are specially tested for spring range and forces.

**References**

Thread lock: polyamide all-around coating (for details please refer to the technical appendix).

**Drawing**



**Order information**

Dimensions							Stroke $s$ [mm]	WS [mm]	Spring load <sup>1)</sup>		Temperature		Weight [g]	Art. No.
$d_1$	$d_2$	$d_3$	$l_1$	$l_2$	$n$	$t$			$F_1$ ~ [N]	$F_2$ ~ [N]	min. [°C]	max. [°C]		
stainless steel, heavy spring load, with thread lock														
M12	5.5	9.5	43	35	2.7	2	10	4	7	46	-30	90	23	22070.0312

<sup>1)</sup> statistical average value

## Application example



## Compliance

### RoHS compliant

Compliant according to Directive 2011/65/EU and Directive 2015/863.

### Does not contain SVHC substances

No SVHC substances with more than 0.1% w/w contained - SVHC list [REACH] as of 23.01.2024.

### Does not contain Proposition 65 substances

No Proposition 65 substances included.

<https://www.P65Warnings.ca.gov/>

### Free from Conflict Minerals

This product does not contain any substances designated as "conflict minerals" such as tantalum, tin, gold or tungsten from the Democratic Republic of Congo or adjacent countries.