

Spring Plungers · with internal hexagon

22060.0608



Product Description

Spring plungers can be used for locating or for applying pressure, as a detent or for ejection.

Material

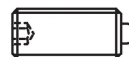
- Pin**
- Thermoplastic POM, white
- Body**
- Stainless steel 1.4305
- Spring**
- Stainless steel

Assembly

Spring plungers can be mounted and removed by means of the slot or internal hexagon. Please use a special assembly tool for mounting with a slot (pin side).

Characteristic

Standard spring load: no marking



Standard spring load



Heavy spring load

More information

Notes

Special types on request.
Spring plungers are specially tested for spring range and forces.

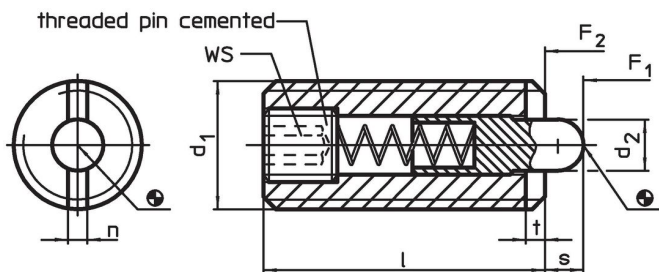
References

Thread lock on request, please refer to appendix - Technical Data -

Further products

- Spring Plungers, with internal hexagon and seal

Drawing

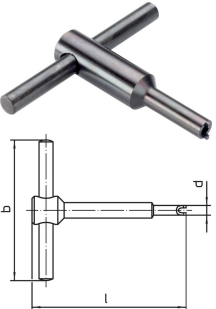


Order information

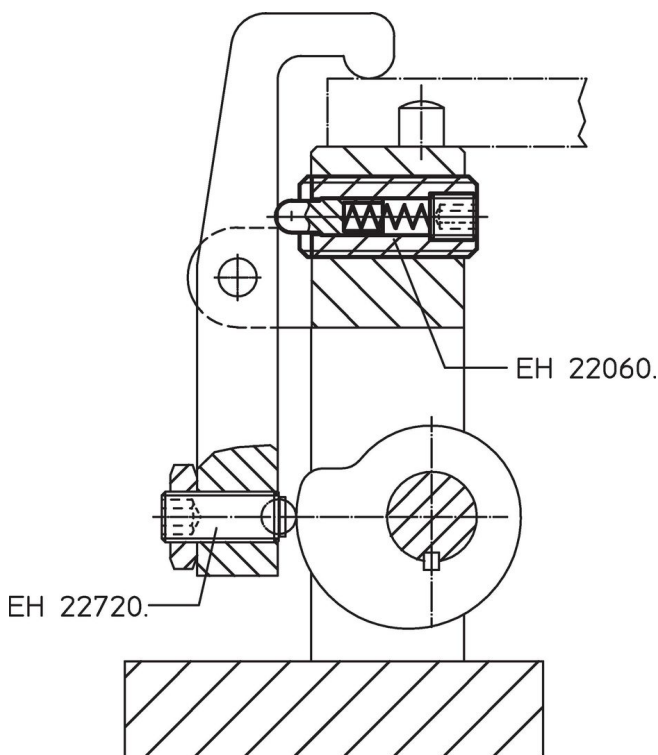
Dimensions					WS	Stroke s	Spring load ¹⁾		Temperature		Weight [g]	Art. No.
d ₁	d ₂	l	n	t			F ₁ ~	F ₂ ~	min.	max.		
[mm]					[mm]	[mm]	[N]	[°C]		[g]		
stainless steel, pin from thermoplastic, standard spring load												
M8	3.5	22	1.5	1.4	2.5	3	8	38	-30	50	5.1	22060.0608

¹⁾ statistical average value

Accessories

	Dimensions				[g]	Art. No.
	d ₁	b	d	l		
[mm]						
Assembly Tool for mounting via slot (pin sided)						
	M 8	60	6.45	70	39	22060.0908

Application example



Compliance

RoHS compliant

Compliant according to Directive 2011/65/EU and Directive 2015/863.

Does not contain SVHC substances

No SVHC substances with more than 0.1% w/w contained - SVHC list [REACH] as of 23.01.2024.

Does not contain Proposition 65 substances

No Proposition 65 substances included.

<https://www.P65Warnings.ca.gov/>

Free from Conflict Minerals

This product does not contain any substances designated as "conflict minerals" such as tantalum, tin, gold or tungsten from the Democratic Republic of Congo or adjacent countries.