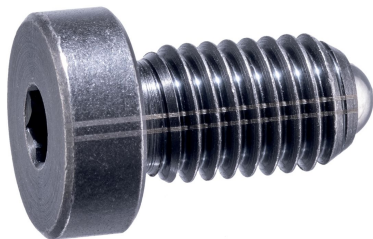


Spring Plungers • headed, with ball and internal hexagon 22030.1040



Product Description

Spring plungers can be used for locating or for applying pressure, as a detent or for ejection. Precise screwing depth due to head.

Material

Body

- Free cutting steel, blackened

Ball

- Ball-bearing steel, hardened

Spring

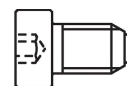
- Stainless steel

Assembly

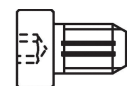
Respect dimension l_3 for M 4 / M 5.

Characteristic

Heavy spring load: marked with two lines



Standard spring load



Heavy spring load

More information

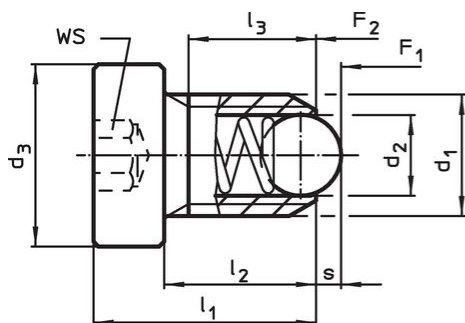
Notes

Special types on request.
Spring plungers are specially tested for spring range and forces.

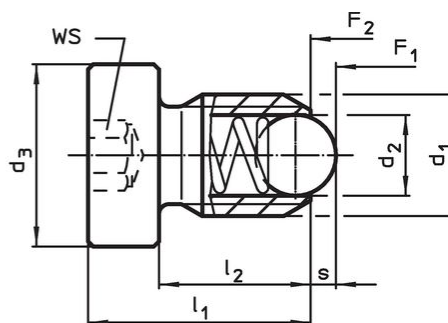
References

Thread lock on request, please refer to appendix - Technical Data -
Calculation of indexing resistance, please refer to appendix - Technical Data -

Drawing



Size M4+M5



Size M6-M12

Order information

| d ₁ | d ₂ | Dimensions | | | WS | Stroke s | Spring load ¹⁾ | | max. [°C] | [g] | Art. No. | |
|--|----------------|----------------|----------------|----------------|-----|-------------|---------------------------|---------------------|--------------|-----|----------|---------------------|
| | | d ₃ | l ₁ | l ₂ | | | l ₃ min. | F ₁ ~ | | | | F ₂ ~ |
| [mm] | | | | | | | | | | | [N] | |
| free cutting steel, reinforced spring load | | | | | | | | | | | | |
| M4 | 2.5 | 6 | 12 | 9 | 7.5 | 2 | 0.8 | 12 | 18 | 250 | 1.1 | 22030.1040 |

¹⁾ statistical average value

Application example



Compliance

RoHS compliant

Contains lead - compliant according to exceptions 6a / 6b / 6c.

Contains SVHC substances >0,1% w/w

Contains lead - SVHC list [REACH] as of 23.01.2024.

Contains Proposition 65 substances



Lead can cause cancer and reproductive harm from exposure
<https://www.P65Warnings.ca.gov/>

Free from Conflict Minerals

This product does not contain any substances designated as "conflict minerals" such as tantalum, tin, gold or tungsten from the Democratic Republic of Congo or adjacent countries.