

Base Plates · with 2 connecting elements

1990.125



Product Description

Material

- Connecting element**
- Refer to Art. No. 1990.100-102
- Base plate**
- Aluminium Al

More information

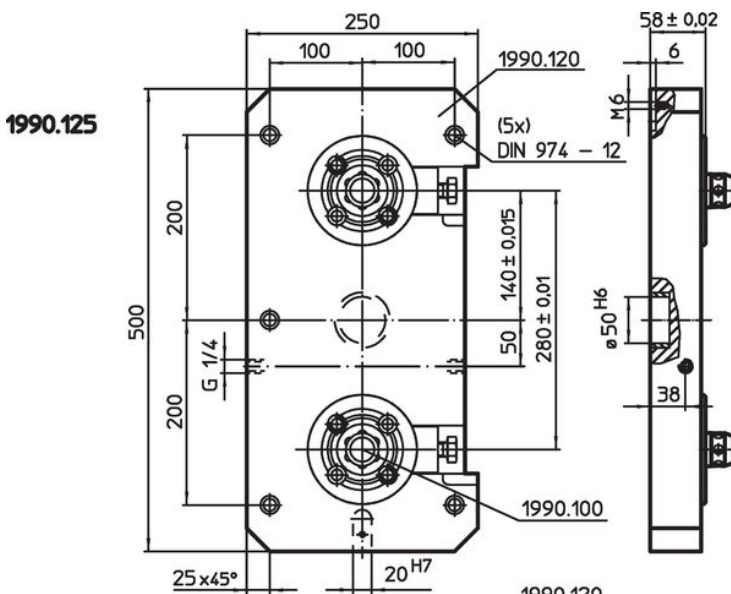
Notes

Special types on request.

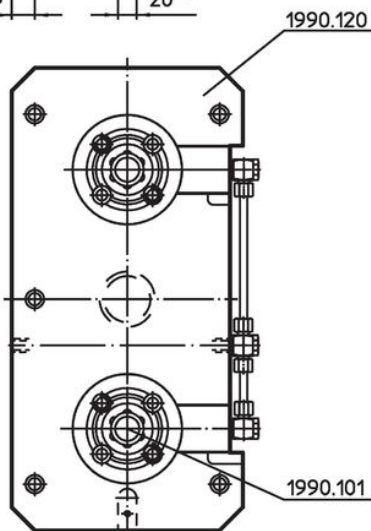
Further products

- Connecting Elements, modular, mechanically operated
- Connecting Elements, modular, hydraulically operated
- Connecting Elements, modular, pneumatically operated
- Supporting Plates, with 2 connecting rings

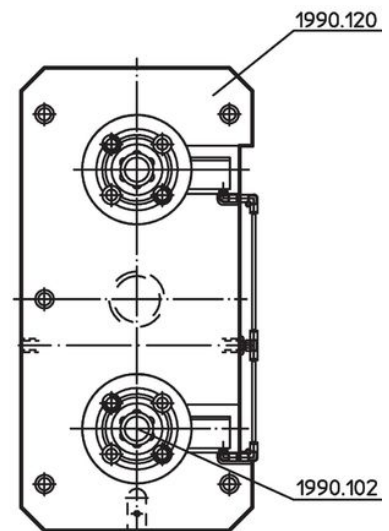
Drawing




1990.126



1990.127



Order information

	 [kg]	Art. No.
mechanical	16.5	1990.125

Compliance

RoHS compliant

Contains lead - compliant according to exceptions 6a / 6b / 6c.

Contains SVHC substances >0,1% w/w

Contains lead - SVHC list [REACH] as of 23.01.2024.

Contains Proposition 65 substances



Lead can cause cancer and reproductive harm from exposure

<https://www.P65Warnings.ca.gov/>

Free from Conflict Minerals

This product does not contain any substances designated as "conflict minerals" such as tantalum, tin, gold or tungsten from the Democratic Republic of Congo or adjacent countries.