

Clamping Cubes • semi-finished

1908.210



Product Description

Material

- Grey cast iron GG

More information

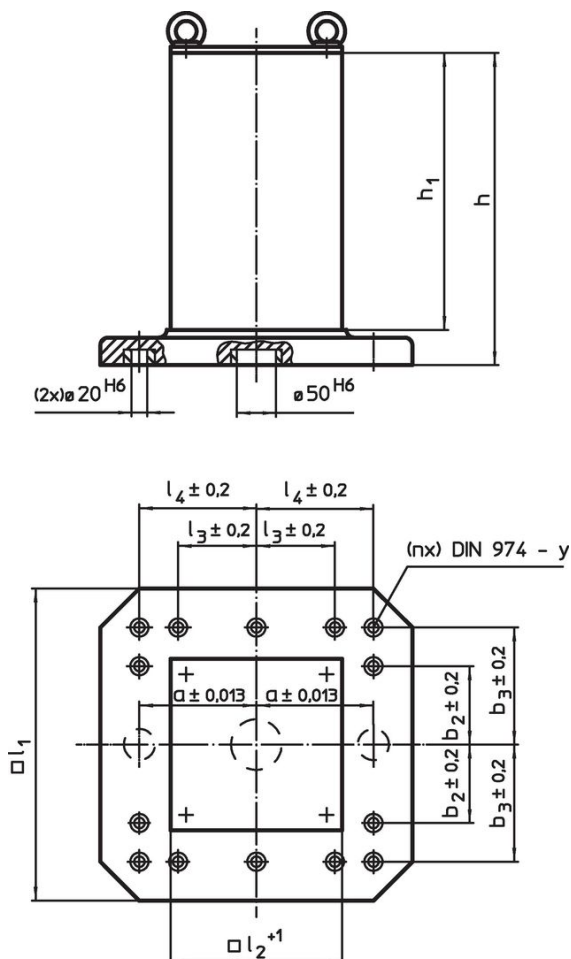
Notes

Special plates on request.


Further products

- Threaded Lifting Pins, self-locking

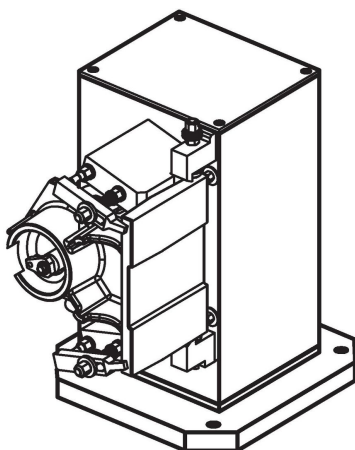
Drawing



Order information

l_1	l_2^{+1}	h_1	Dimensions				y	For screws	Number of fastening holes n	 [kg]	Art. No.
			h	a ± 0.013	b_3 ± 0.2	l_4 ± 0.2					
400	231	358	408	150	150	150	12	M12	4	100	1908.210

Application example



Compliance

RoHS compliant

Contains lead - compliant according to exceptions 6a / 6b / 6c.

Contains SVHC substances >0,1% w/w

Contains lead - SVHC list [REACH] as of 23.01.2024.

Contains Proposition 65 substances



Lead can cause cancer and reproductive harm from exposure
<https://www.P65Warnings.ca.gov/>

Free from Conflict Minerals

This product does not contain any substances designated as "conflict minerals" such as tantalum, tin, gold or tungsten from the Democratic Republic of Congo or adjacent countries.