

Master Jaw Adapters

1701.150



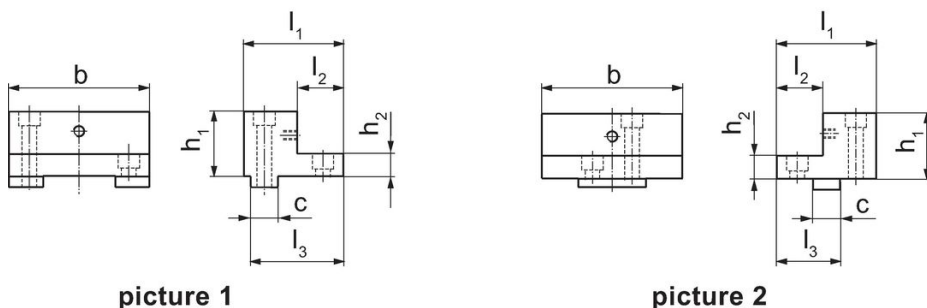
Product Description

- High side of the jaw is hardened
- Additional thread for mounting the interchangeable jaws (Art. No. 1701.250 - 1701.280)
- Ground clamping surfaces
- Mountings for click system (Art. No. 1701.190 -1701.200) on the high side of the jaw

Material

- Steel

Drawing



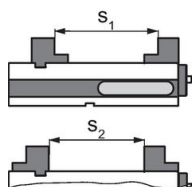
picture 1

picture 2

Order information

| Jaw width [mm] | Dimensions | | | | | | | [kg] | Art. No. |
|---------------------------------|------------|----------------|----------------|----------------|----------------|----------------|----|------|----------|
| | b | l ₁ | l ₂ | l ₃ | h ₁ | h ₂ | c | | |
| Jaw, movable – picture 2 | | | | | | | | | |
| 125 | 126 | 80 | 32 | 52 | 58 | 20 | 24 | 4 | 1701.150 |

Application example



| | MS 125-S | MS 125-M | MS 125-L |
|-------------------------------|----------|----------|----------|
| Clamping width s ₁ | 66 - 126 | 71 - 243 | 66 - 376 |
| Clamping width s ₂ | 0 - 107 | 47 - 224 | 0 - 357 |

Compliance

RoHS compliant

Compliant according to Directive 2011/65/EU and Directive 2015/863.

Does not contain SVHC substances

No SVHC substances with more than 0.1% w/w contained - SVHC list [REACH] as of 23.01.2024.

Does not contain Proposition 65 substances

No Proposition 65 substances included.

<https://www.P65Warnings.ca.gov/>

Free from Conflict Minerals

This product does not contain any substances designated as "conflict minerals" such as tantalum, tin, gold or tungsten from the Democratic Republic of Congo or adjacent countries.