

Multi-Vices · MS 125eco

1700.020



Product Description

The all-round clamping system is a classic for conventional clamping and gripper clamping. It is suitable for all common milling. Clamping of unmachined parts, saw-cut or flame-cut material by penetration of hardened, replaceable gripper elements into the workpiece.

The MS 125eco is designed for fast machining of unmachined/semi-finished parts as well as of finished products. It is equally suitable for gripper clamping in the first clamping as well as for conventional clamping in the second clamping without refitting.

- Ground jaws for high precision in the machining of workpieces
- High-pressure spindle with mechanical power intensifier (operation with torque wrench)
- Up to 40 kN clamping force (linearly increasing, at max. 30 Nm)
- Solid base made of GGG 60, top and bottom surface ground
- Threats M8 on both sides for workpiece stop
- Precise alignment slots in the ground bottom surface for an optimal alignment on the machine table

Scope of supply:

- 1 piece MS 125eco
- 1 set step jaws for gripper studs
- 4 pieces gripper studs, pointed
- 4 pieces clamping claws
- 3 pieces wrenches

All components of the product ranges "conventional clamping" and "gripper clamping" as well as the accessories for the Multi-Vice MS 125 are fully compatible to MS 125eco. For horizontal machining Halder basic elements (angles/cubes) can be used.

Material

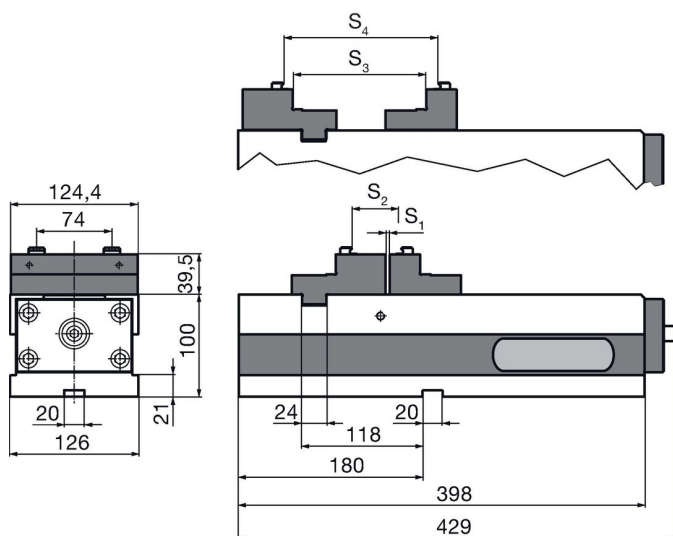
- Ductile cast iron (GGG 60)

More information


Further products

- Multi-Vices, MS 125
- Torque Wrenches

Drawing



Order information

Clamping force max. [kN]	 [kg]	Art. No.
40	33	1700.020

Compliance

RoHS compliant

Compliant according to Directive 2011/65/EU and Directive 2015/863.

Does not contain SVHC substances

No SVHC substances with more than 0.1% w/w contained - SVHC list [REACH] as of 23.01.2024.

Does not contain Proposition 65 substances

No Proposition 65 substances included.

<https://www.P65Warnings.ca.gov/>

Free from Conflict Minerals

This product does not contain any substances designated as "conflict minerals" such as tantalum, tin, gold or tungsten from the Democratic Republic of Congo or adjacent countries.