

Clamping Bars • length 200  
1585.200

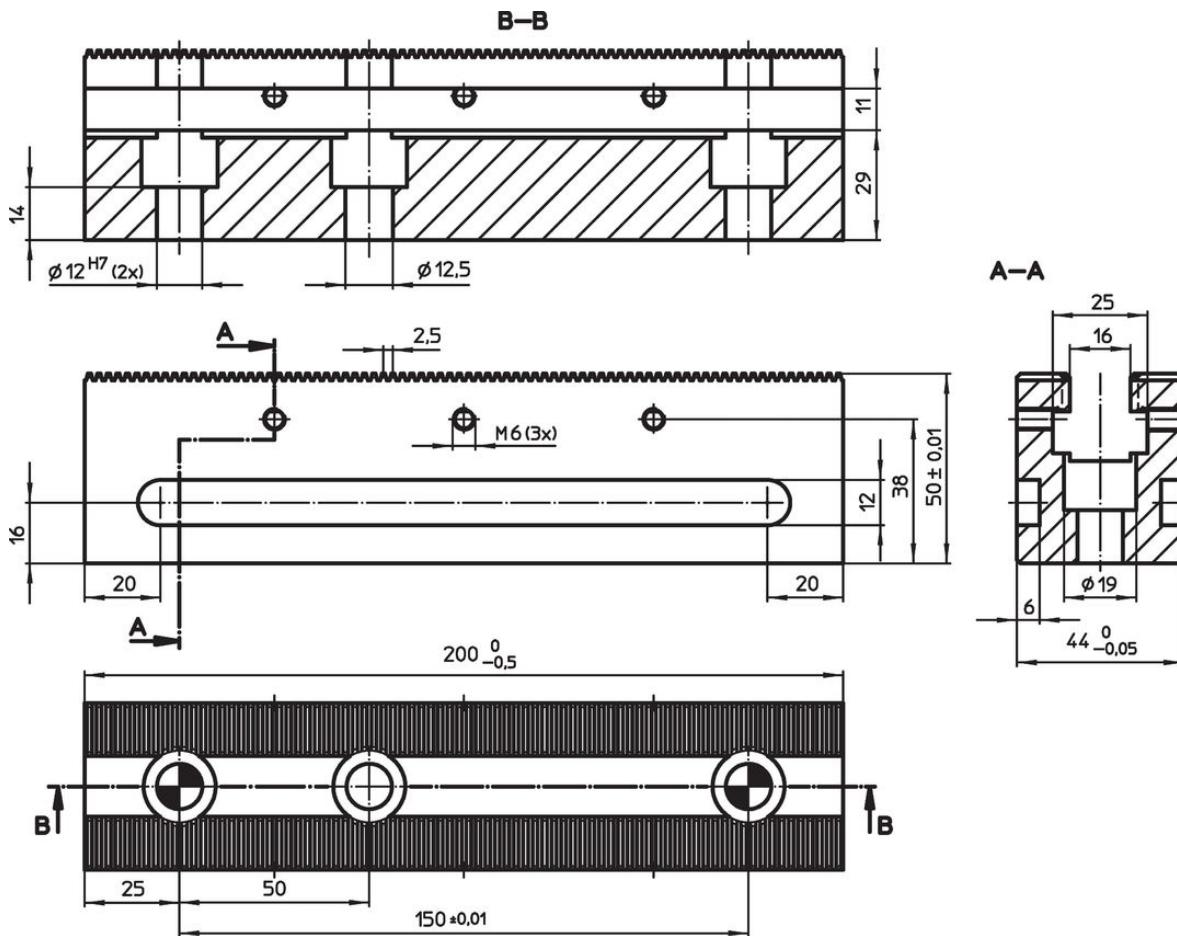


Product Description

Material

- Tool steel, hardened



Drawing



Order information

[kg]	Art. No.
2	1585.200

Accessories

	Number locating screws M12 x 45	Number cap screws M12 x 45	 [g]	Art. No.
<b>fixing screws for clamping bars</b>				
	2	1	155	1585.201

Compliance

**RoHS compliant**

Compliant according to Directive 2011/65/EU and Directive 2015/863.

**Does not contain SVHC substances**

No SVHC substances with more than 0.1% w/w contained - SVHC list [REACH] as of 27.06.2024.

**Does not contain Proposition 65 substances**

No Proposition 65 substances included.  
<https://www.P65Warnings.ca.gov/>

**Free from Conflict Minerals**

This product does not contain any substances designated as "conflict minerals" such as tantalum, tin, gold or tungsten from the Democratic Republic of Congo or adjacent countries.