

Mounting Blocks

1111.100



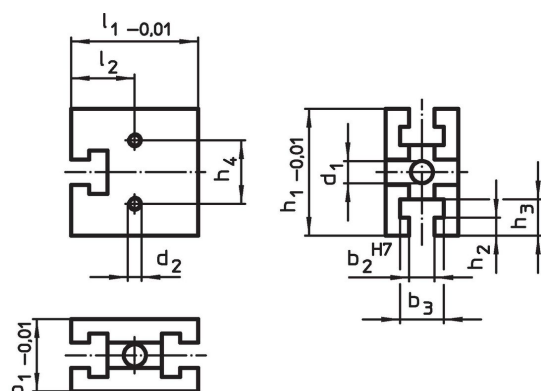
Product Description

This mounting element is a system part of the T-slot system.

Material

- Steel, hardened, ground

Drawing



Order information

System	Dimensions											Amount n	[g]	Art. No.
	b ₁	l ₁	b ₂	b ₃	l ₂	h ₁	h ₂	h ₃	h ₄	d ₁	d ₂			
V70	40	70	14	24	35	70	10	20	35	12.25	M12	1	1050	1111.100

Compliance

RoHS compliant

Compliant according to Directive 2011/65/EU and Directive 2015/863.

Does not contain SVHC substances

No SVHC substances with more than 0.1% w/w contained - SVHC list [REACH] as of 23.01.2024.

Does not contain Proposition 65 substances

No Proposition 65 substances included.

<https://www.P65Warnings.ca.gov/>

Free from Conflict Minerals

This product does not contain any substances designated as "conflict minerals" such as tantalum, tin, gold or tungsten from the Democratic Republic of Congo or adjacent countries.