

Intermediate Discs

1047.700

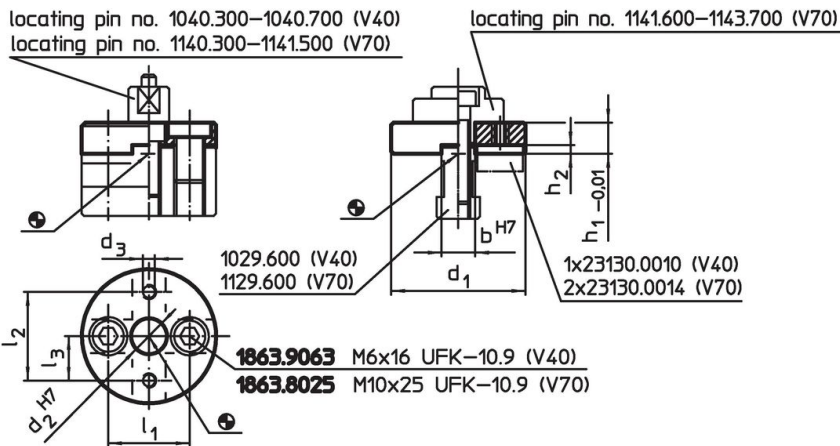


Product Description

Material

- Steel, case-hardened, ground

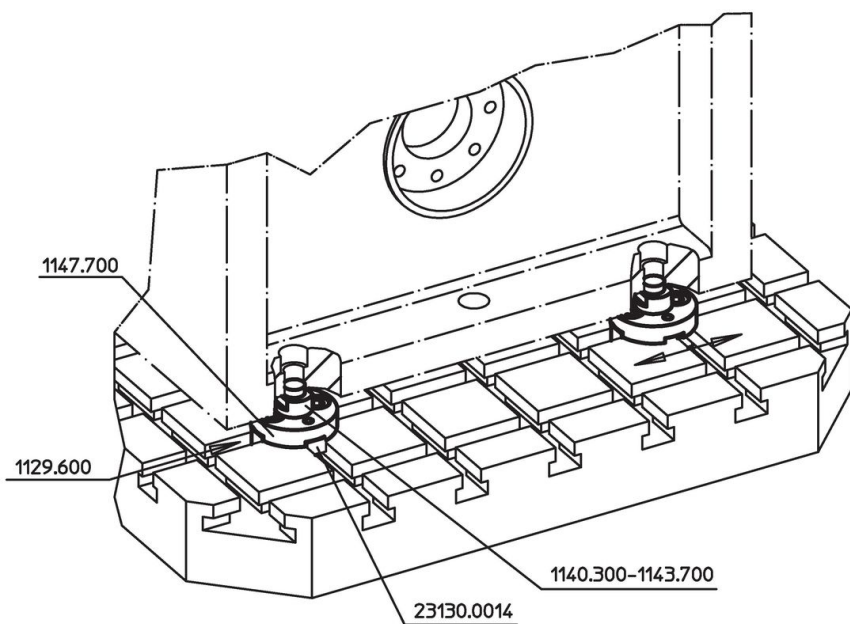
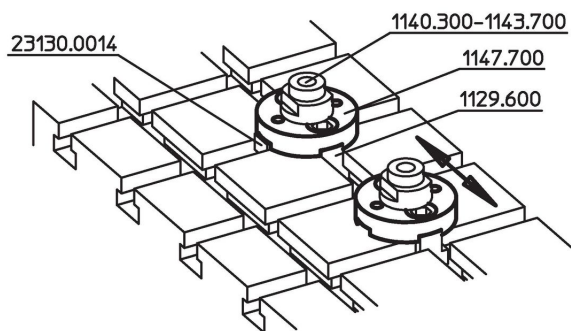
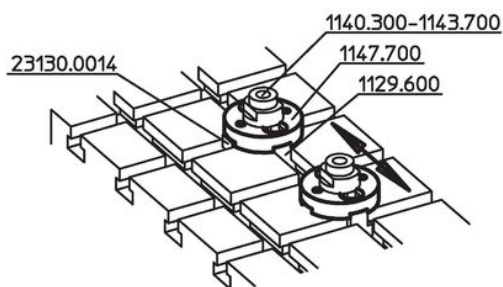
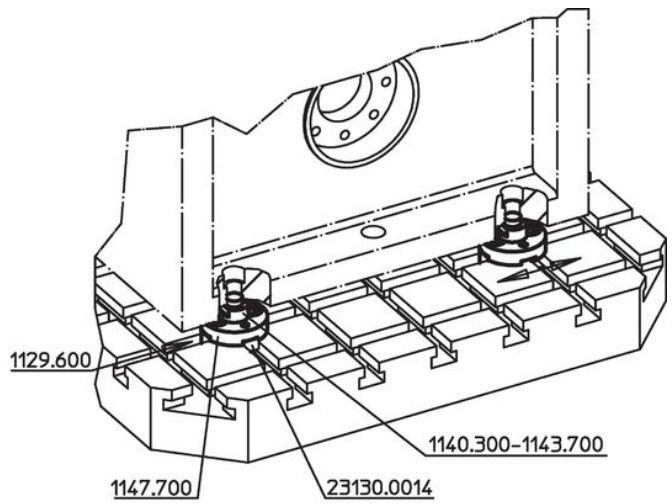
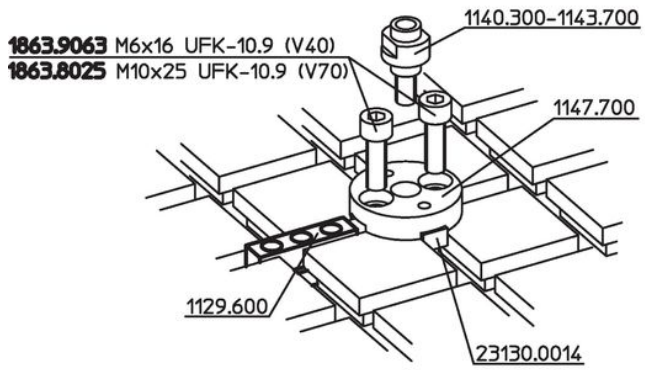
Drawing

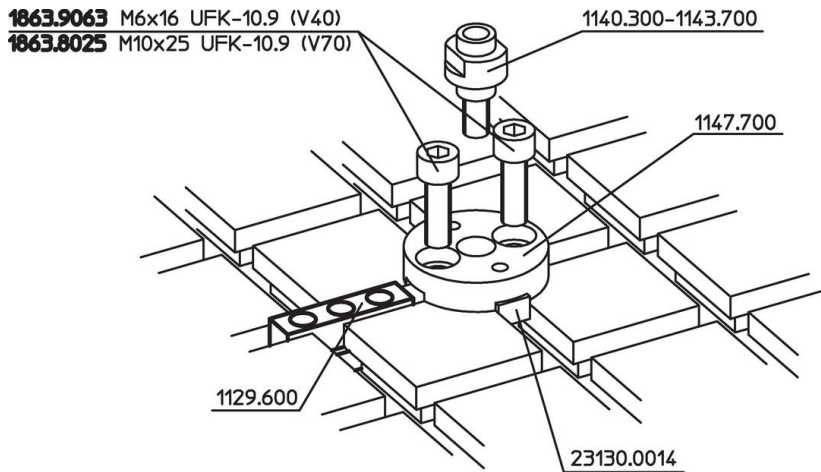


Order information

| System | Dimensions | | | | | | | | | Art. No. |
|--------|------------|-------|-------|-------|-------|-----|-------|-------|-------|-----------------|
| | d_1 | d_2 | d_3 | h_1 | h_2 | b | l_1 | l_2 | l_3 | |
| V40 | 40 | 10 | M4 | 15 | 2.6 | 10 | 26 | 16 | 125 | 1047.700 |

Application example





Compliance

RoHS compliant

Compliant according to Directive 2011/65/EU and Directive 2015/863.

Does not contain SVHC substances

No SVHC substances with more than 0.1% w/w contained - SVHC list [REACH] as of 23.01.2024.

Does not contain Proposition 65 substances

No Proposition 65 substances included.

<https://www.P65Warnings.ca.gov/>

Free from Conflict Minerals

This product does not contain any substances designated as "conflict minerals" such as tantalum, tin, gold or tungsten from the Democratic Republic of Congo or adjacent countries.